

**SANIFLOOR+**

180 01.18

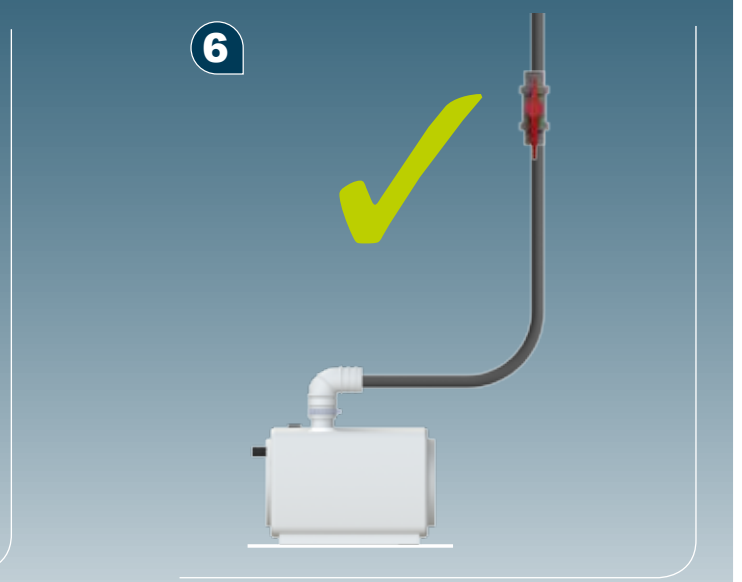
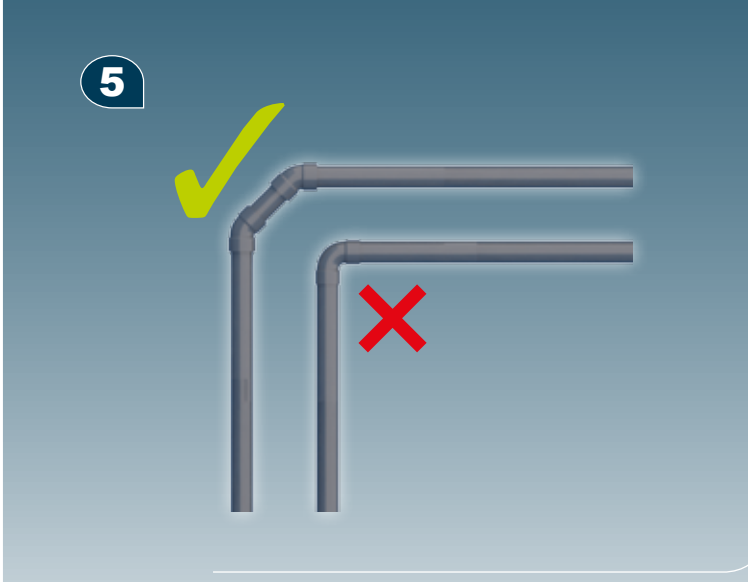
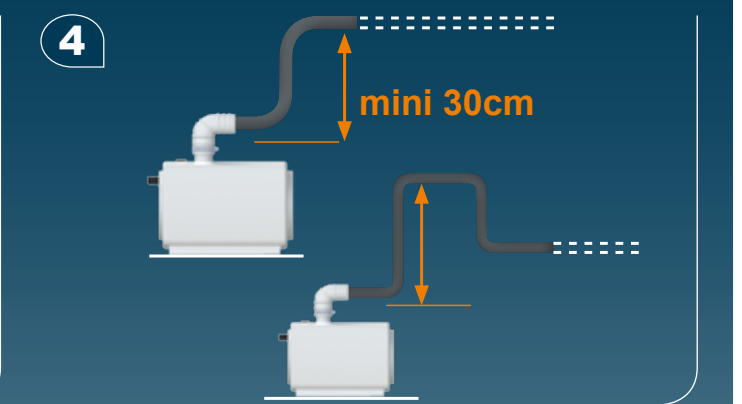
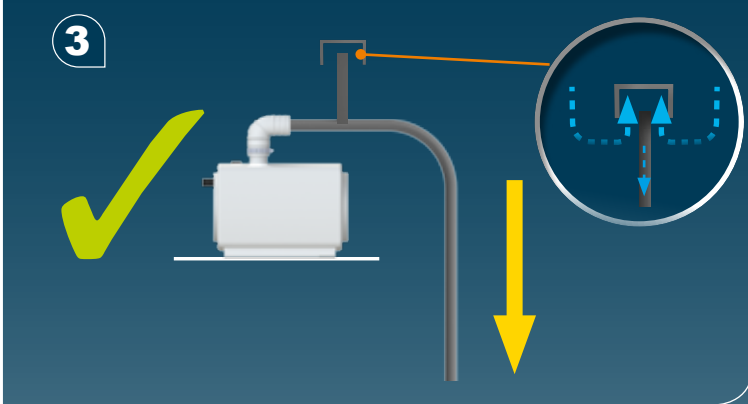
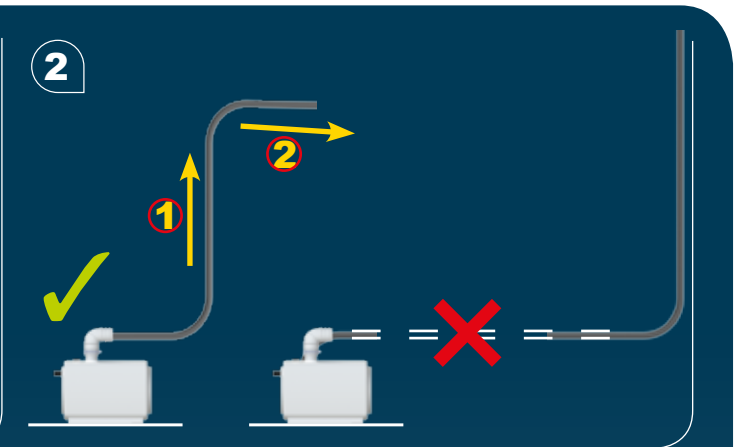
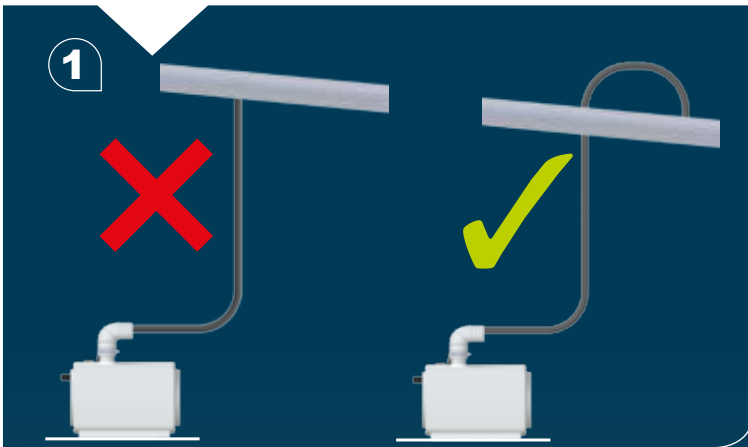
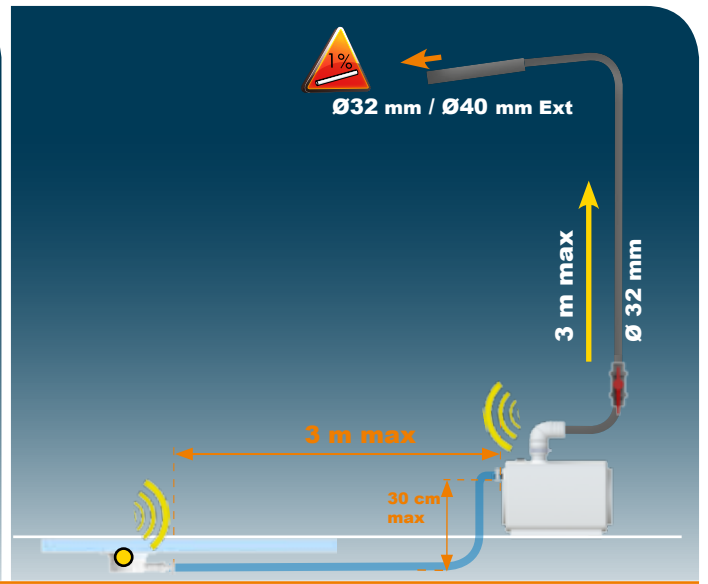
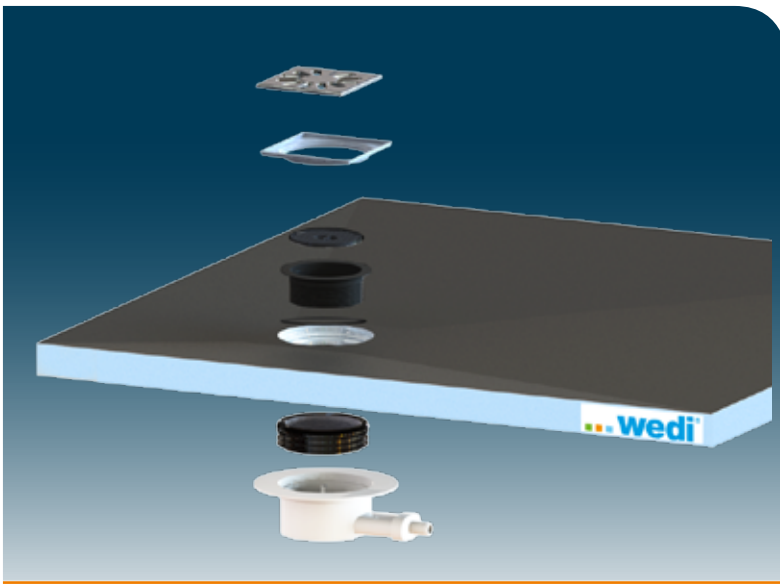
# SFA

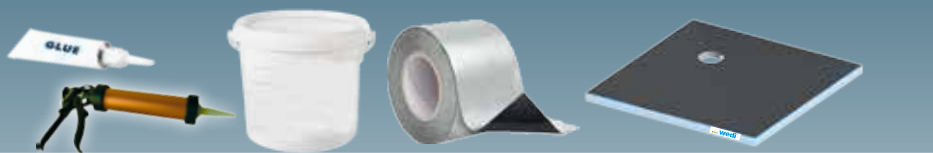
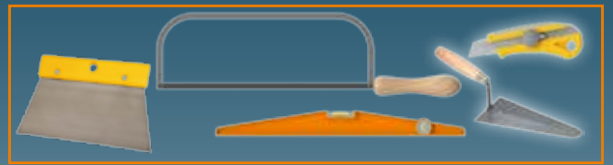
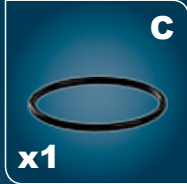
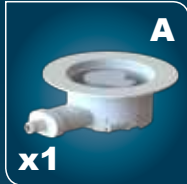


**SANIFLOOR®+4...wedi®**

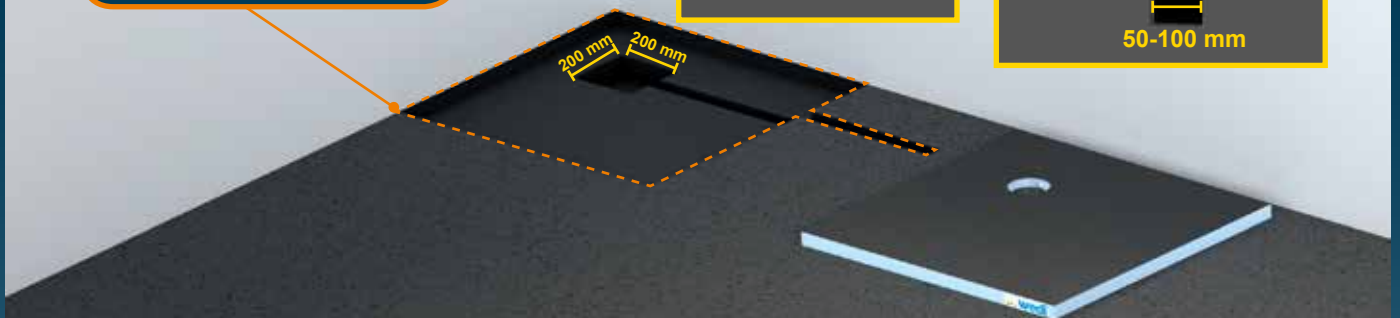
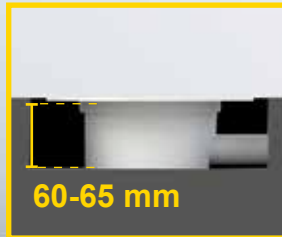
- |  |  |   |
|--|--|---|
| <b>FR</b> NOTICE D'INSTALLATION          | <b>SE</b> INSTALLATIONSANVISNING               | <b>RO</b> MANUAL DE INSTALARE           |
| <b>UK</b> INSTALLATION INSTRUCTIONS      | <b>DK</b> INSTALLATIONSVEJLEDNING              | <b>CZ</b> NÁVOD K INSTALACI A POUŽÍVÁNÍ |
| <b>DE</b> INSTALLATIONSHINWEISE          | <b>NO</b> INSTALLASJONSANVISING                | <b>CN</b> KURULUM KILAVUZU              |
| <b>IT</b> ISTRUZIONI PER L'INSTALLAZIONE | <b>FI</b> ASENNUSOHJEET                        | <b>CN</b> 用户应保留安装指南以备                   |
| <b>ES</b> MANUAL DE INSTALACIÓN          | <b>HU</b> FELSZERELÉSI ÉS KEZELÉSI ÚTMUTATÓ    | <b>KR</b> 설치내용서                         |
| <b>BR</b> <b>PT</b> MANUAL DE INSTALAÇÃO | <b>PL</b> INSTRUKCJA INSTALACJI                | <b>HR</b> UPUTA ZA INSTALACIJU          |
| <b>NL</b> INSTALLATIE VOORSCHRIFTEN      | <b>RU</b> ИНСТРУКЦИЯ ПО МОНТАЖУ И ЭКСПЛУАТАЦИИ | <b>AR</b> بيكرتلا قرط                   |

**CE**

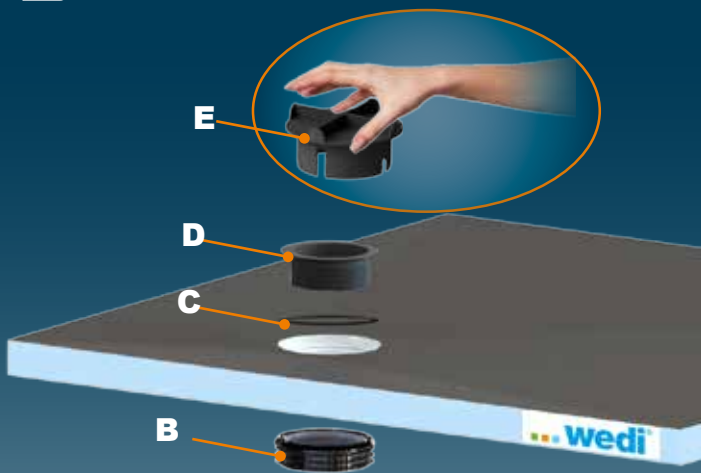




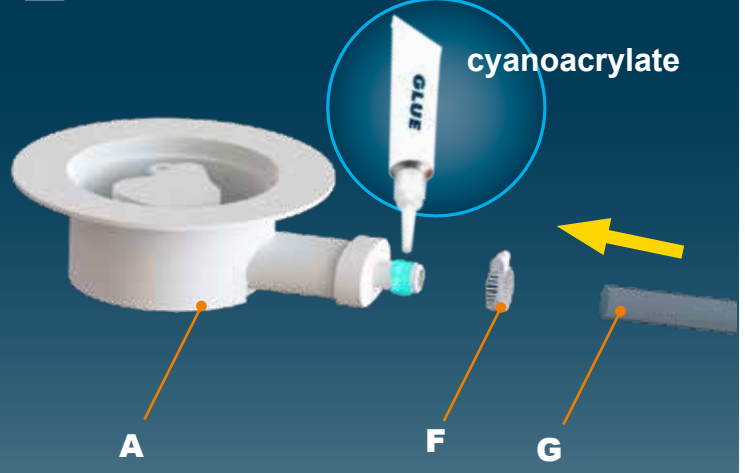
1

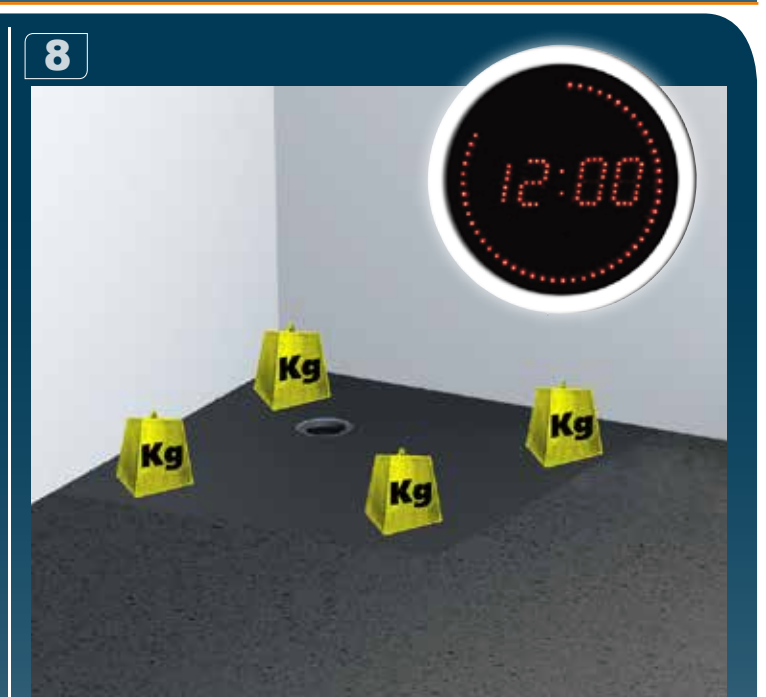
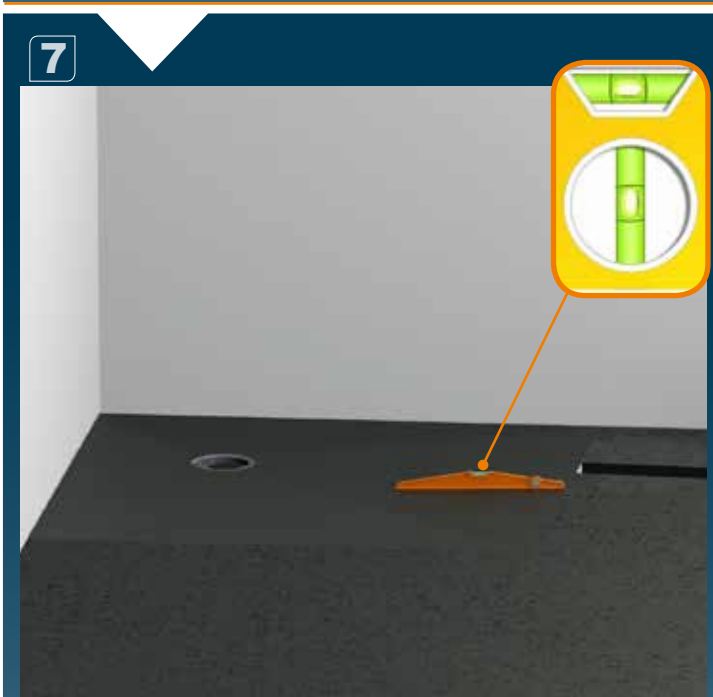
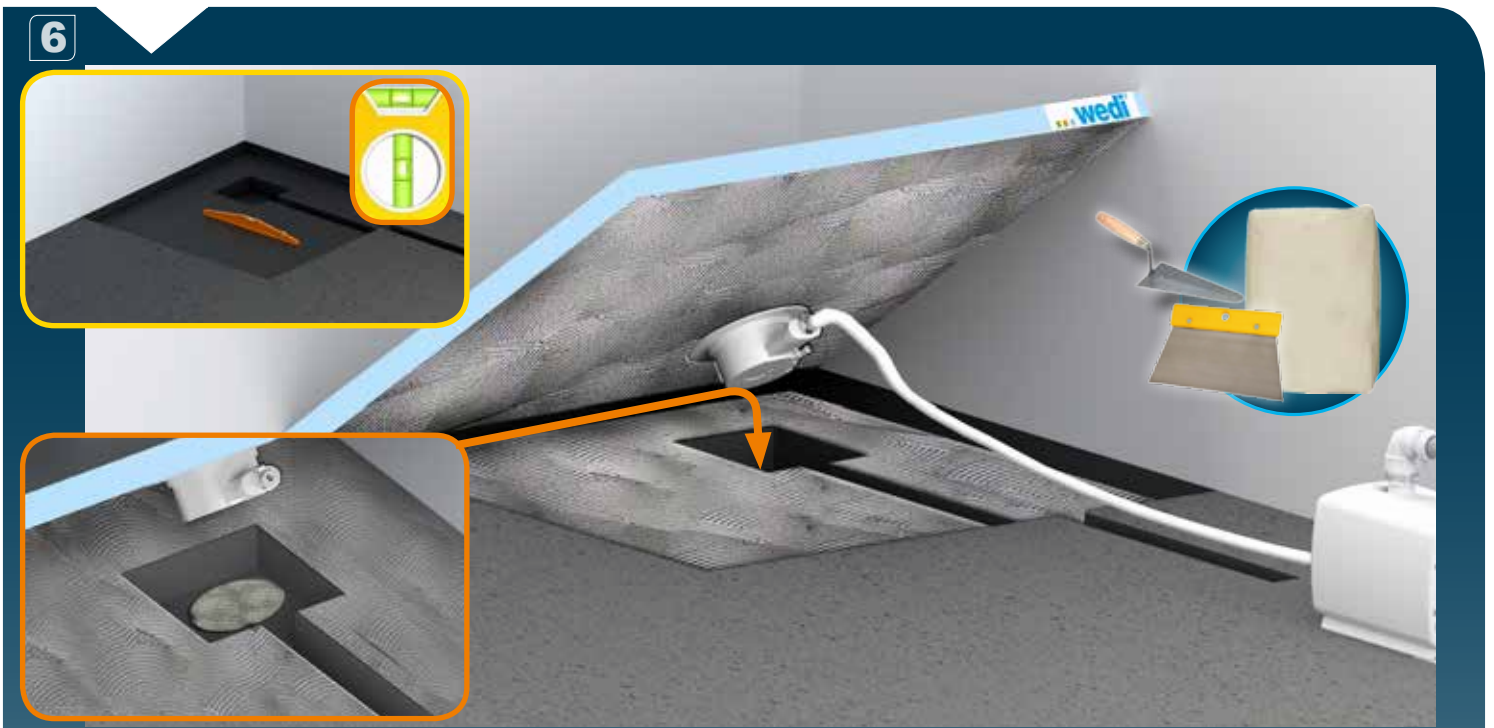
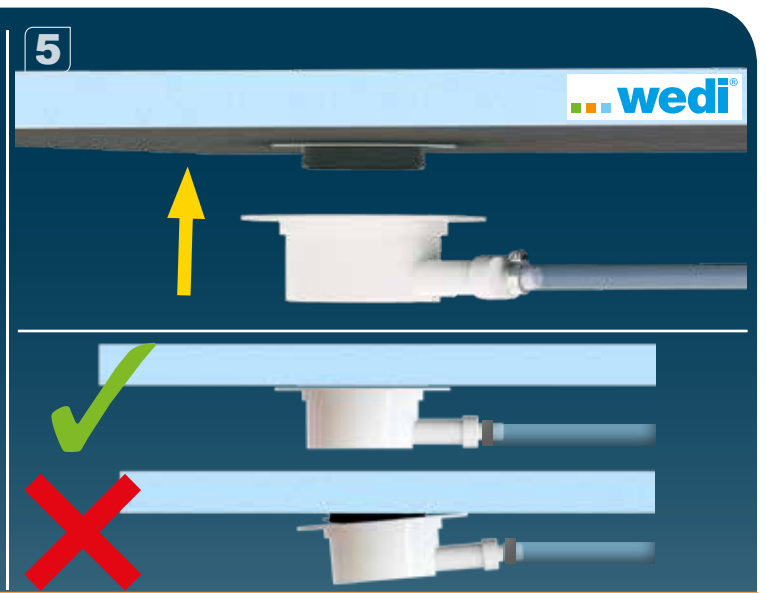


2

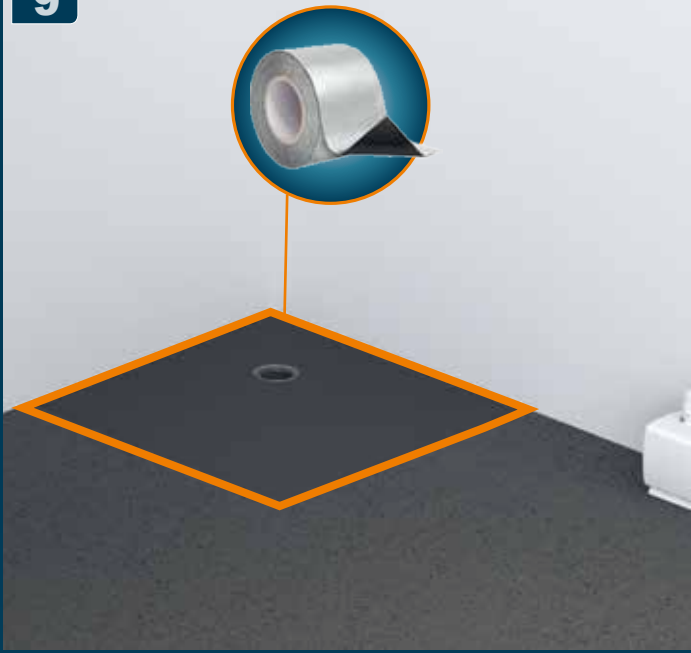


3





9



10



>15mm

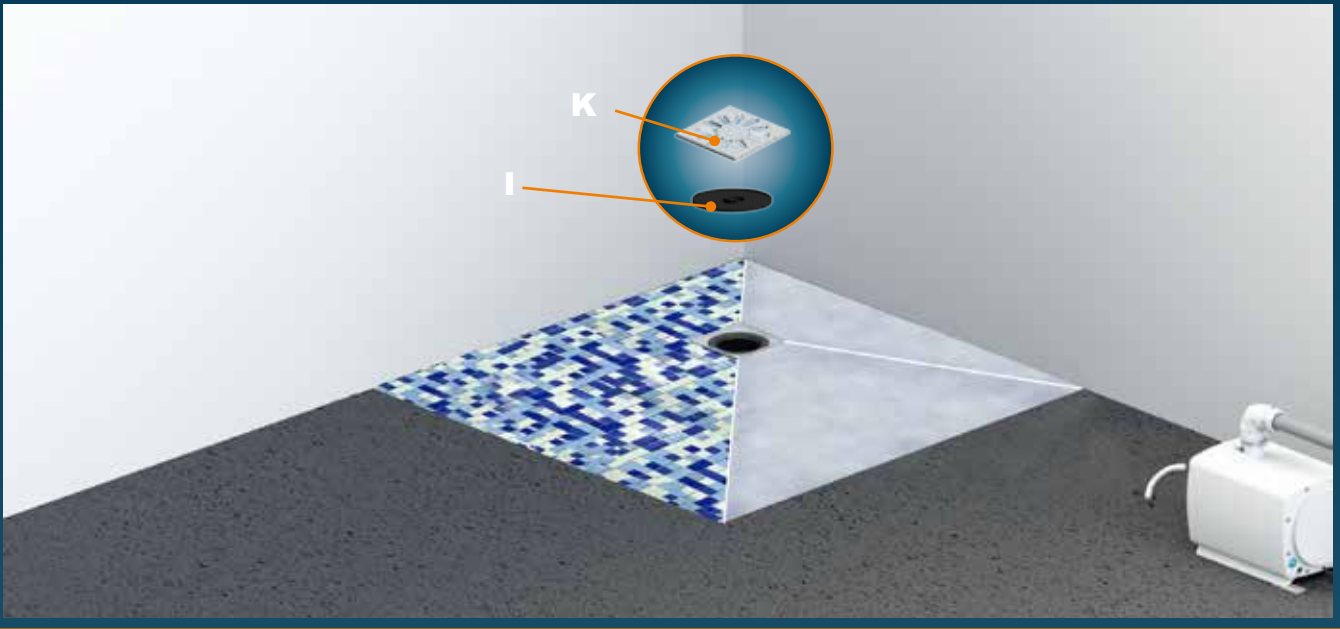
<15mm

J

J

H

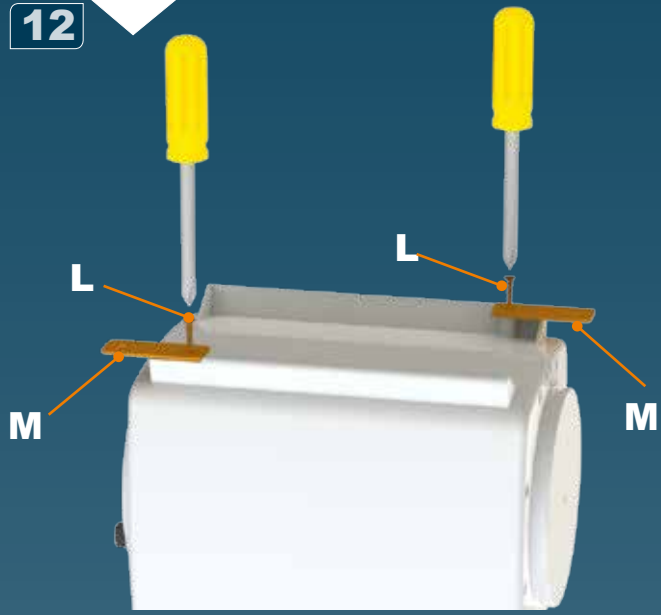
11



K

I

12

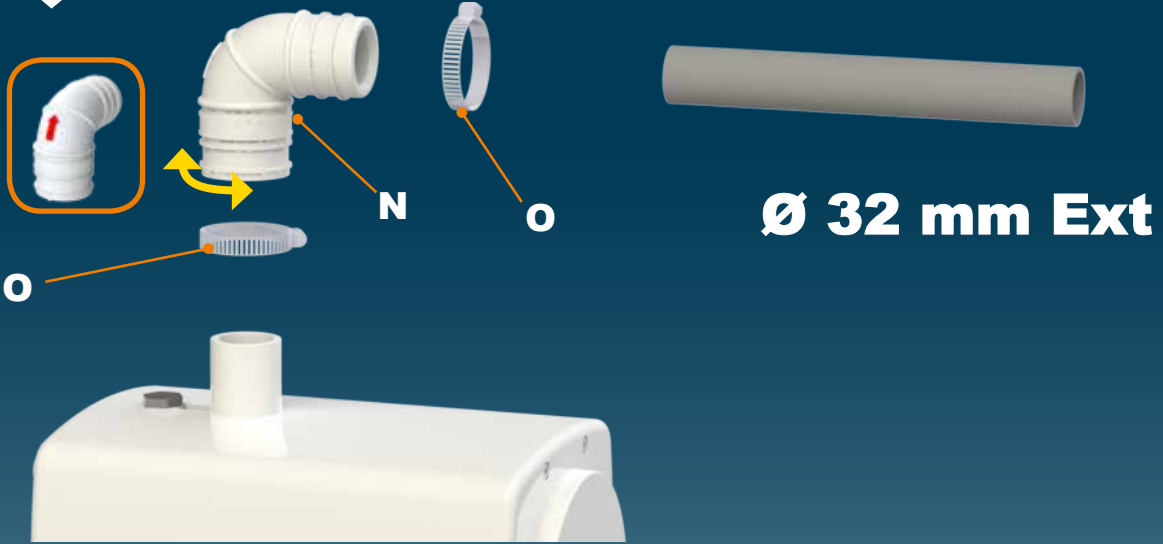


13

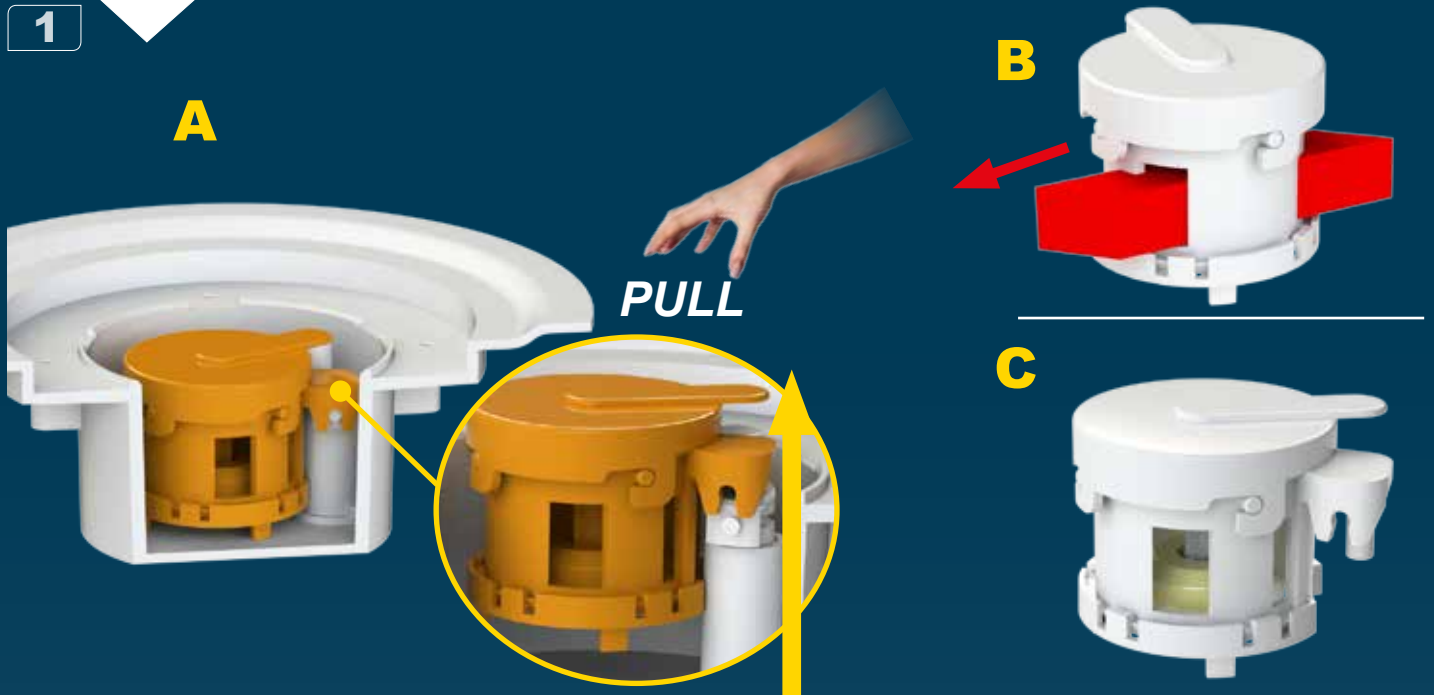




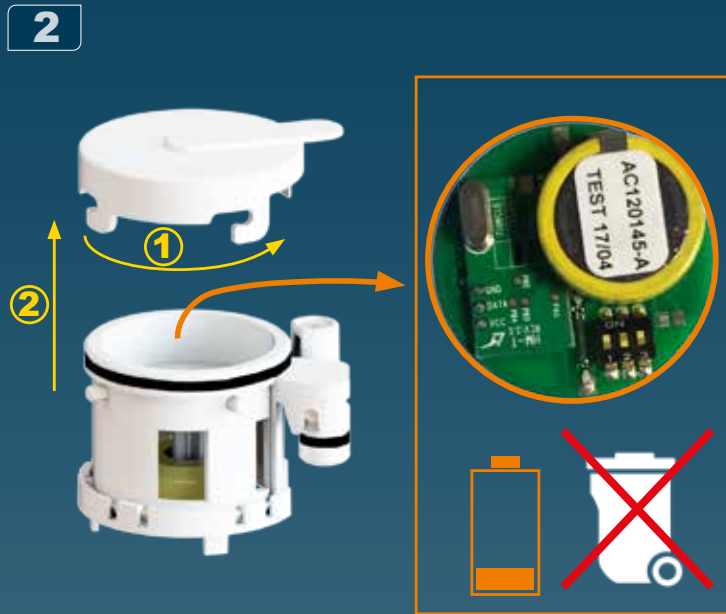
14



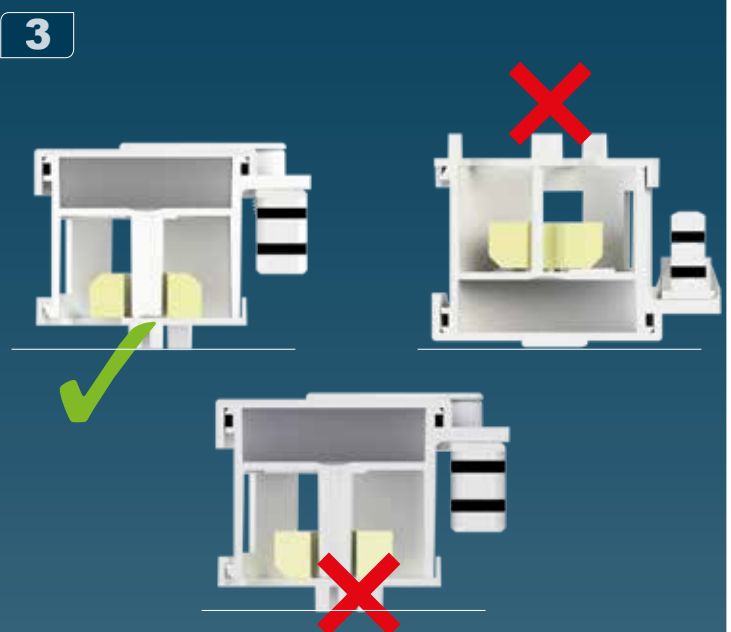
1

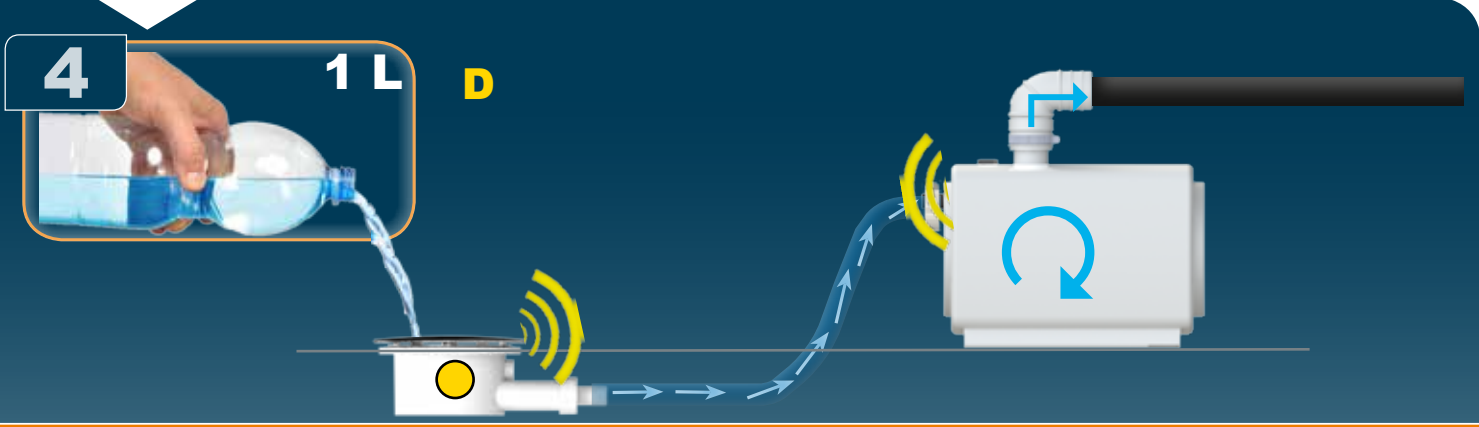
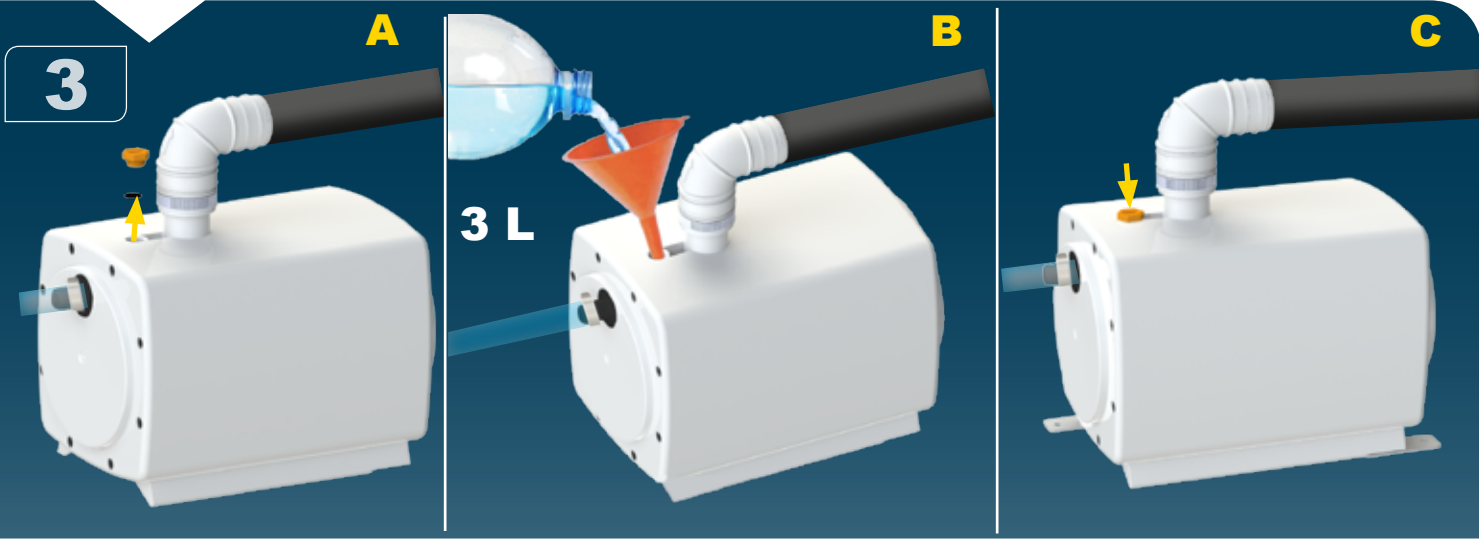
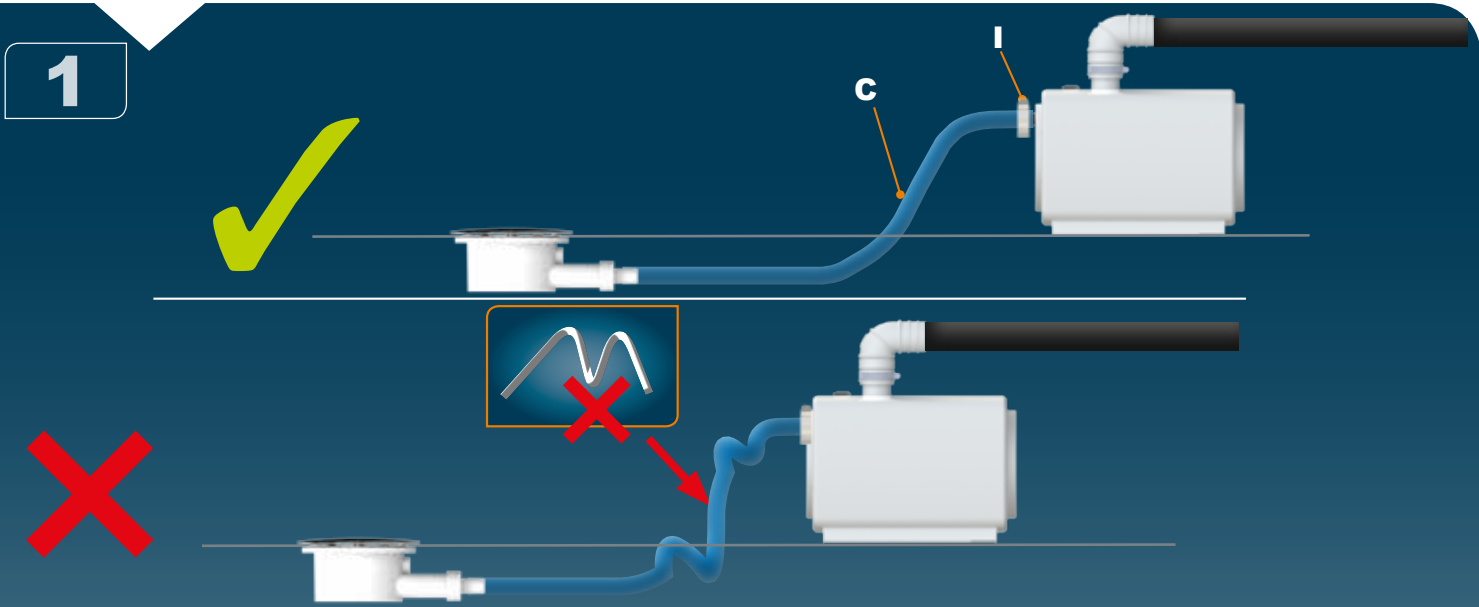


2



3

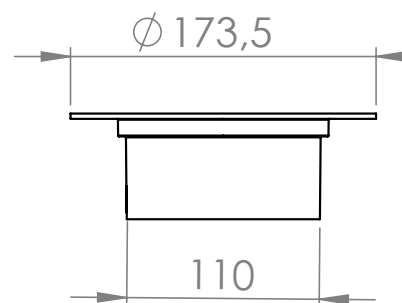
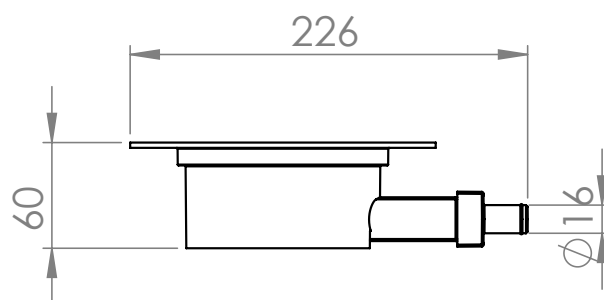
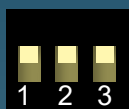
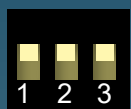
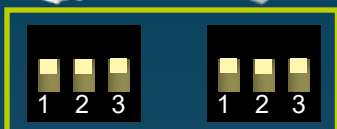
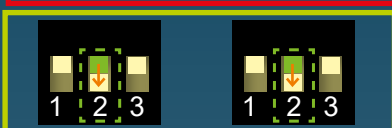
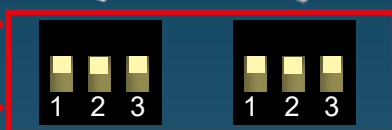




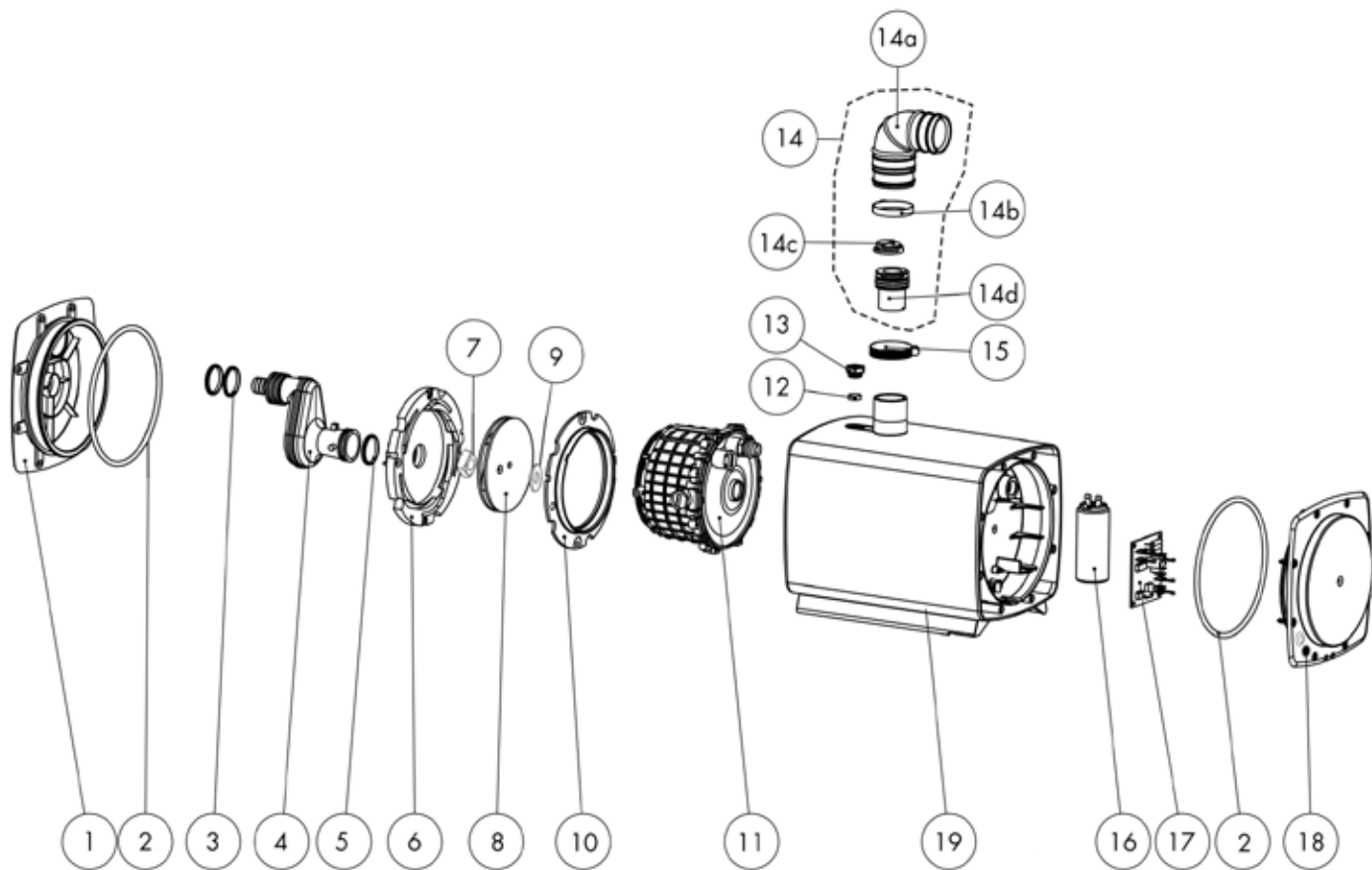
# APPARAGE / LINK



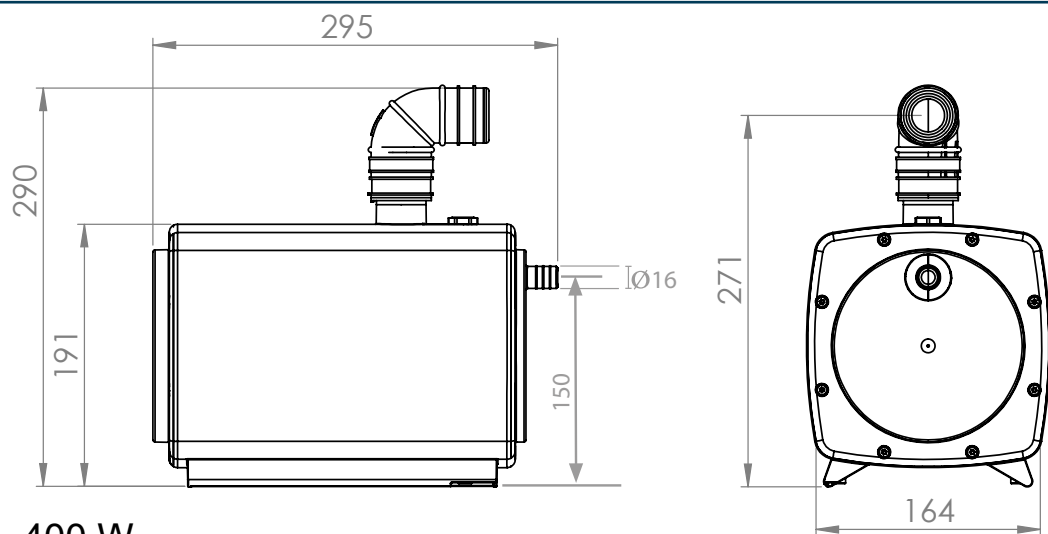
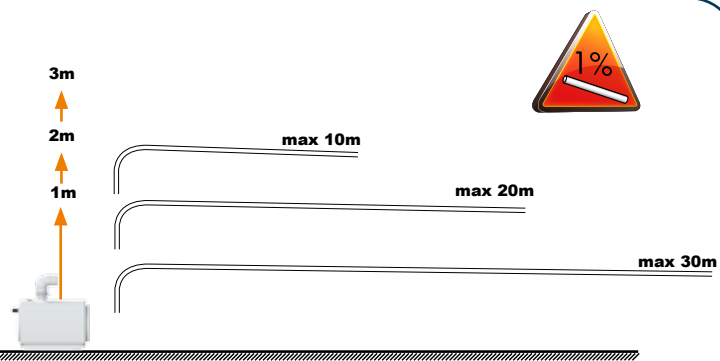
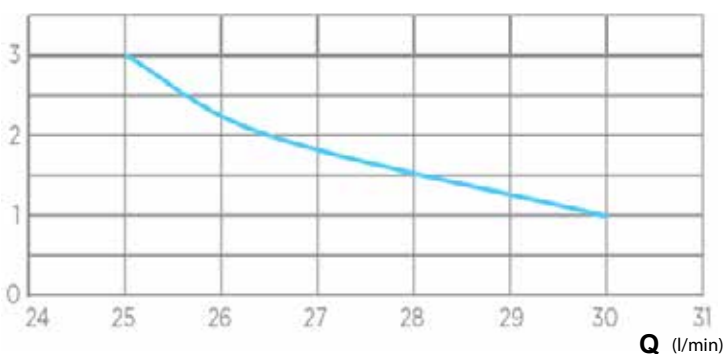
30m








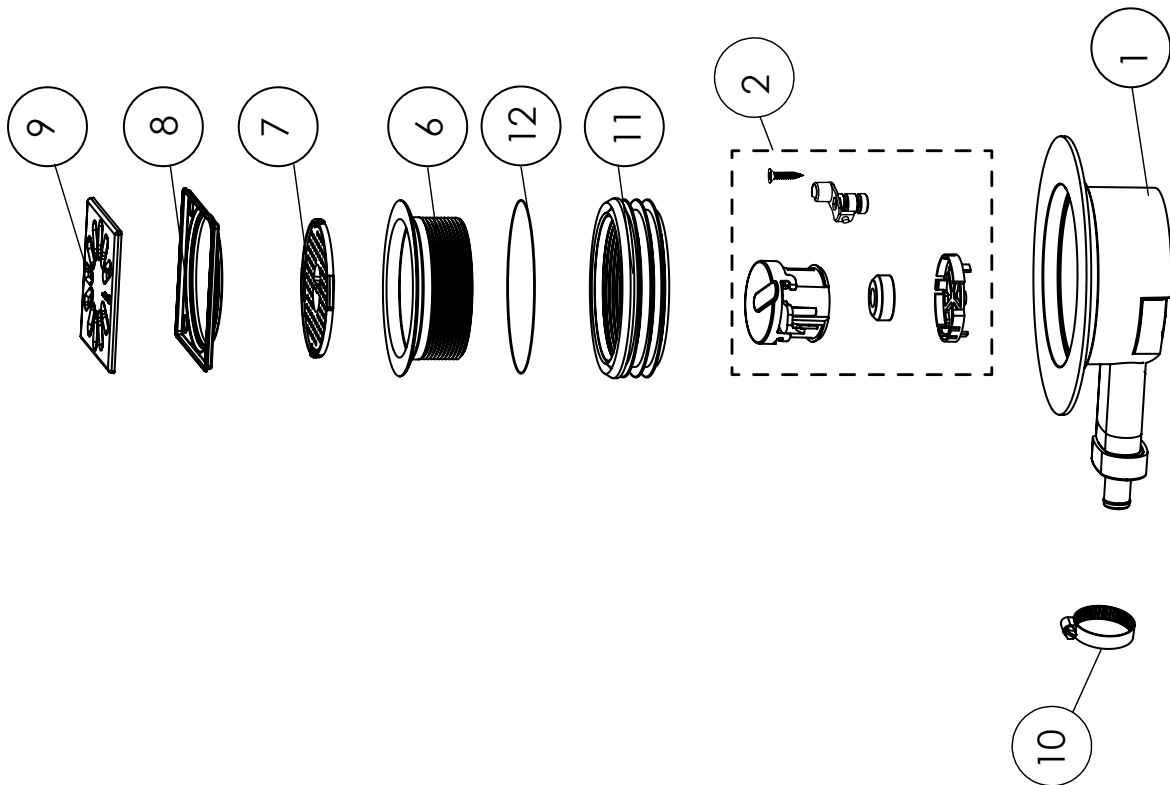
H (m)



### SANIFLOOR+4

220-240V - 50/60Hz - 400 W

IP44 - 1,7A -  Classe 1



#### FRANCE

##### SOCIÉTÉ FRANÇAISE D'ASSAINISSEMENT

41 bis avenue Bosquet - 75007 Paris  
Tél. +33 1 44 82 39 00  
Fax +33 1 44 82 39 01

#### UNITED KINGDOM

**SANIFLO Ltd.**  
Howard House, The Runway  
South Ruislip Middx.,  
HA4 6 SE  
Tel. +44 208 842 0033  
Fax +44 208 842 1671

#### IRELAND

**SANIRISH Ltd**  
IDA Industrial Estate  
Edenderry - County Offaly  
Tel. + 353 46 9733 102  
Fax + 353 46 97 33 093

#### AUSTRALIA

**SANIFLO (Australasia) Pty Ltd**  
Unit 9/10, 25 Gibbes Street  
Chatswood NSW 2067  
Tel. +61 298 826 200  
Fax +61 298 826 950

#### DEUTSCHLAND

**SFA SANIBROY GmbH**  
Waldstr. 23 Geb. B5 - 63128  
Dietzenbach  
Tel. (060 74) 30928-0  
Fax (060 74) 30928-90

#### ITALIA

**SFA ITALIA spa**  
Via del Benessere, 9  
27010 Siziano (PV)  
Tel. 03 82 61 81  
Fax 03 82 61 8200

#### ESPAÑA

**SFA S.L.**  
C/ Vinyalets, 1 - Pl. Can Vinyalets  
08130 Sta. - Perpètua de Mogoda - Barcelona  
Tel. +34 93 544 60 76  
Fax +34 93 462 18 96

#### PORTUGAL

**SFA, Lda.**  
Sintra Business Park, ed.01-1°P2710-089 SINTRA  
Tel. +35 21 911 27 85  
Fax +35 21 957 70 00

#### РОССИЯ

**SFA РОССИЯ**  
101000 Москва - Колпачный переулок 9а  
Тел. (495) 258 29 51  
Факс. (495) 258 29 51

#### SUISSE SCHWEIZ SVIZZERA

**SFA SANIBROY AG**  
Vorstadt 4  
3380 Wangen a. A.  
Tel. + 41 (0)32 631 04 74  
Fax + 41 (0)32 631 04 75

#### BENELUX

**SFA BENELUX B.V.**  
Voltaweg 4  
6101 XK Echt (NL)  
Tel. +31 475 487100  
Fax +31 475 486515

#### SVERIGE

**SANIFLO AB**  
BOX 797  
S-191 27 Sollentuna  
Tel. +46 (0)8-404 15 30  
info@saniflo.se

#### POLSKA

**SFA POLAND Sp. z O.O.**  
ul. Białołęcka 168  
03-253 Warszawa  
Tel. (+4822) 732 00 32  
Fax (+4822) 751 35 16

#### ČESKÁ REPUBLIKA

**SFA-SANIBROY, spol. s r.o**  
Sokolovská 445/212, 180 00 Praha 8  
Tel. +420 266 712 855  
Fax, +420 266 712 856

#### ROMANIA

**SFA SANIFLO S.R.L.**  
145B Foisorului Street District 3  
31177 BUCURESTI  
Tel. +40 256 245 092  
Fax +40 256 245 029

#### TÜRKIYE

**SFA SANIHYDRO LTD STI**  
Mecidiye Cad No:36-B Sevencan APT  
34394 MECIDIYEKÖY - ISTANBUL  
Tel. +90 212 275 30 88  
Fax, +90 212 275 90 58

#### CHINA

**SFA 中国**  
上海市静安区石门二路333弄3号振安  
广场恒安大厦27C (200041)  
Tel. +86(0)21 6218 8969  
Fax. +86(0)21 6218 8970

#### KOREA

**www.SFA.biz**  
sales@saniflo-korea.kr

#### South Africa

**Saniflo Africa (PTY) Ltd**  
Unit A6 , Spearhead Business Park  
Cnr. Freedom Way & Montague Drive  
Montague Gardens, 7441  
Tél : +27 (0) 21 286 00 28  
**www.saniflo.co.za**

#### BRAZIL

**SFA Brasil Equipamentos Sanitários,**  
Rua Maria Figueiredo 595  
CEP 04002-003 SAO PAULO / SP  
Tel. (11) 3052-2292  
santrit@sanitrit.com.br

### SERVICE HELPLINES

	TEL	FAX		
France	01 44 82 25 55	03 44 94 46 19	Benelux	+31 475 487100
United Kingdom	08457 650011 (Call from a land line)	020 8842 1671	Sverige	+46 (0)8-404 15 30
Ireland	1850 23 24 25 (LOW CALL)	+ 353 46 97 33093	Norge	+46 (0)8-404 15 30
Australia	+1300 554 779	+61.2.9882.6950	Poliska	(+4822) 732 00 33
Deutschland	0800 82 27 82 0	(060 74) 30928-90	РОССИЯ	(495) 258 29 51
Italia	0382 6181	+39 0382 618200	Česká Republika	+420 266 712 855
España	+34 93 544 60 76	+34 93 462 18 96	România	+40 256 245 092
Portugal	+35 21 911 27 85	+35 21 957 70 00	Türkiye	+90 212 275 30 88
Suisse Schweiz Svizzera	+41 (0)32 631 04 74	+41 (0)32 631 04 75	中国	+86(0)21 6218 8969
			Brazil	(11) 3052-2292

Service information : [www.sfa.biz](http://www.sfa.biz)