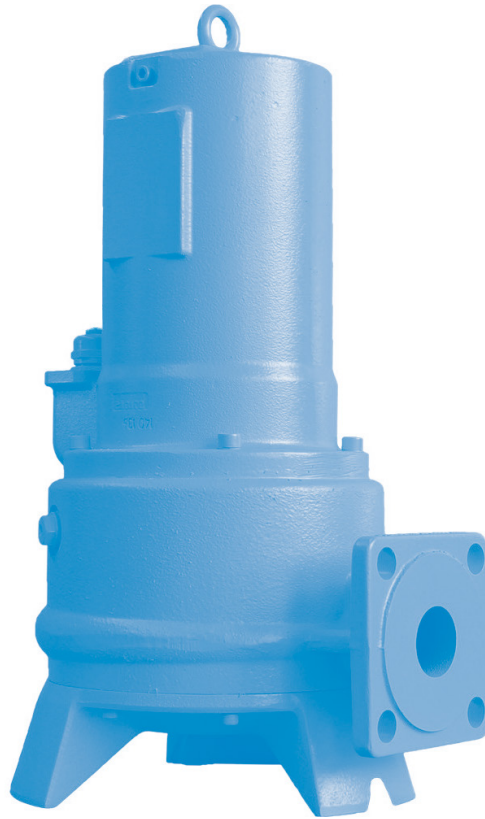


9035

02.20

SFA

SANIPUMP® ZPG 71



- ⓔ **Submersible greywater pump** • Operating/installation manual
- ⓓ **Abwasser-Tauchpumpe** • Bedienungs-/Installationsanleitung
- ⓕ **Pompe submersible pour évacuation des eaux grises** • Notice de service/montage
- ⓔ **Bomba sumergible para aguas residuales** • Manual de funcionamiento
- ⓔ **Pompa sommersa per acque reflue** • Manuale per l'uso e l'installazione
- ⓓ **Afvalwater-dompelpomp** • Gebruikers-/installatiehandleiding
- ⓔ **Bomba submersível para águas residuais** • Manual de instalação/utilização

English	3
Deutsch	14
Français	26
Italiano	38
Nederlands	50
Español	62
Português	74

CONTENTS

1. SAFETY	pg.4
1.1 Identifying the warning signs	pg.4
1.2 Personnel qualifications and training	pg.5
1.3 Dangers from non-observance of the safety instructions	pg.5
1.4 Safety-awareness at work.....	pg.5
1.5 Safety instructions for the customer/operator	pg.5
1.6 Safety instructions for maintenance, inspection and assembly work.....	pg.5
1.7 Unauthorised re-equipping and spare-part production.....	pg.6
1.8 Unauthorised modes of operation.....	pg.6
2. GENERAL	pg.6
2.1 Scope	pg.6
2.2 Queries and orders	pg.6
2.3 Technical data	pg.6
2.4 Range of application	pg.7
2.5 Accessories	pg.7
3. TRANSPORT AND TEMPORARY STORAGE	pg.7
4. DESCRIPTION	pg.7
4.1 Motors.....	pg.7
4.2 Pumps.....	pg.7
4.3 Switching device.....	pg. 7
5. INSTALLATION	pg.8
5.1 Electrical equipment	pg.8
5.2 Hydraulic system.....	pg.9
5.3 Level control system	pg.10
6. COMMISSIONING	pg.10
7. MAINTENANCE AND REPAIR	pg.10
8. MALFUNCTIONS, CAUSES AND TROUBLESHOOTING	pg.10
9. GUARANTEE	pg.11
10. TECHNICAL MODIFICATIONS	pg.11
Appendix A: Characteristic curves	pg.12
Appendix B: Pump dimensions.....	pg.12
Appendix C: Sectional drawing and list of spare parts.....	pg.13

1. SAFETY

WARNING

This device may be used by children who are at least 8 years old, by people with reduced physical, sensory or mental capacities or those without knowledge or experience, if they are properly supervised and if the instructions relating to using the device completely safely have been given to them and the associated risks have been understood. Children must not play with the device. Cleaning and maintenance undertaken by the user must not be carried out by unsupervised children.

ELECTRICAL CONNECTIONS:

The electrical installation must be done by a qualified electrical engineer. The device's power supply must be connected to ground (class I) and protected by a high sensitivity differential circuit breaker (30 mA). Devices without plugs must be connected to a main switch on the power supply which disconnects all poles (contact separation distance of at least 3 mm). The connection must be used exclusively to provide the power to the product.

If the power cord is damaged, to prevent possible danger, it must be replaced by the manufacturer, customer service team or a similarly qualified individual.

The operation manual at hand provides basic notes which have to be taken into account during assembly, operation and maintenance works. Therefore, before assembly and commissioning, this operation manual has to be read by the assembler as well as the responsible personnel/operator at all costs. It always has to be available on site of operation of the machine/plant.

The general safety notes listed under the main point safety are not the only notes to be taken into account. Please also observe the specific safety instructions, such as those for private use, listed under other main points.

1.1 Identifying the warning signs



Danger

This term defines a high risk of danger, which can lead to death or serious injury, if not avoided.



Dangerous area

This symbol characterises hazards that could lead to death or injury.



Dangerous voltage

This symbol characterises dangers associated with the voltage and provides information on voltage protection.

ATTENTION



Property damage

This symbol, in combination with the keyword **ATTENTION**, characterises dangers to the machine and its proper operation.

It is imperative to observe signs that are attached directly to the machine (for example, rotational direction arrow, sign for fluid connections) and must be kept fully legible.

1.2 Personnel qualifications and training

The personnel responsible for operation, maintenance, inspection and assembly have to have the corresponding qualifications for those types of work. Area of responsibility, competence and the surveillance of the personnel have to be regulated precisely by the operator. If the personnel do not possess the necessary knowledge, they have to be trained and instructed. By order of the operator, the instruction and training, if necessary, can be carried out by the manufacturer/supplier. Furthermore the operator has to make sure that the personnel have completely understood the content of the operation manual.

1.3 Dangers from non-observance of the safety instructions

Non-observance of the safety instructions can result in danger to persons and damage to the environment and the machine. Non-observance of the safety instructions can lead to loss of any claims for damage compensation.

In detail, non-observance can for instance involve the following hazards :

- Failure of important machine/system functions
- Failure of prescribed methods for maintenance and repairs
- Danger to persons through electrical, mechanical and chemical hazards
- Danger to the environment through leakage of harmful substances

1.4 Safety-awareness at work

The safety instructions described in this Operating Manual, the valid national regulations on accident prevention, and possible internal regulations of the customer on work, operation and safety are to be observed.

1.5 Safety instructions for the customer/operator

- Hot or cold machine components which could cause danger have to be secured against contact by the customer.
- Protective devices to prevent touching moving machinery (e.g. coupling) may not be removed from operating machines.
- Leakage (e.g. shaft seals) of dangerous conveyed products (e.g. explosive, poisonous, hot) has to be led off in such a way that there is no endangerment to persons or environment. Legal stipulations are to be maintained.
- Hazards through electric energy are to be eradicated (for details, see national regulations and those of the local power supply companies).

1.6 Safety instructions for maintenance, inspection and assembly work

The customer has to ensure that all maintenance, inspection and assembly work is carried out by authorised and qualified specialist personnel, who have been sufficiently informed through relevant and adequate study of the Operating Manual.

Work on the machine is to be done on principle only when it is shut down. The procedure for shutting down the machine is described in the Operating Manual and is to be precisely adhered to.

Pumps, or pump units that convey hazardous media have to be decontaminated. Immediately after finishing work, all safety and protective devices have to be re-attached and put into effect.

Prior to initial (re-)start-up, you are to take heed of the points listed in the section Initial Operation.

1.7 Unauthorised re-equipping and spare-part production

Re-equipment and modification of the machine are only permitted after consultation with the manufacturer. Original spare parts and accessories authorised by the manufacturer are all part of the safety strategy. Use of other parts can eliminate liability for the consequences that ensue.

1.8 Unauthorised modes of operation

Operational safety of the delivered machine is only guaranteed when it is used appropriately according to Section 2 - *General* in the Operating Manual. The limit values specified in the data sheet may on no account be exceeded.

2. GENERAL

2.1 Scope

This operation manual is valid for the submersible greywater pumps SANIPUMP® ZPG 71.

If the instructions of the operation manual – especially the safety instructions - are not observed, or in case of unauthorized modifications of the plant or the installation of non-original spare parts, the guarantee expires automatically. The manufacturer assumes no liability for damages resulting from such behaviour!

Manufactured sizes:

SANIPUMP® ZPG 71.1 S	SANIPUMP® ZPG 71.2 T
SANIPUMP® ZPG 71.1 T	SANIPUMP® ZPG 71.3 T

2.2 Queries and orders

Please send your queries and orders to your specialist dealer.

2.3 Technical data

SANIPUMP®	ZPG 71.1 S	ZPG 71.1 T	ZPG 71.2 T	ZPG 71.3 T
P1 [kW]	2.2	2.1	3.9	3.9
Rated power P ₂ [kW]	1.6	1.7	1.7	3.2
Voltage U [V]	230	400	400	400
Frequency [Hz]	50			
Rated current consumption I [A]	10.5	3.7	3.7	6.5
Drive n [min ⁻¹]	2800			
Max. discharge flow Q _{max} [m ³ /h]	43	43	43	43
Max. delivery height H _{max} [m]	19	19	26	31
Max. media temperature t _{max} [°C]	40			
Pressure connection (optional)	Flange DN50			
Weight with cable [kg]	38	38	38	44
Duty ratio ED	S1- continuous operation (flooded), S3- 40% (emerged)			
Minimum fluid level	Bottom line of motor housing			

Materials

Motor housing	GG 20	Motor shaft	1.4021
Pump housing	GG 20	Bearing flange	GG 20
Impeller	GG 20	Floating-ring type shaft seal	SiC (silicon carbide)
Auxiliary bearing flange	St 37-2	Other seals	NBR, FPM

2.4 Range of application

The submersible greywater pumps of the type series SANIPUMP® ZPG 71 are used for the drainage of wastewater in manholes. The use of this pump is not suitable for the disposal of waste water containing faeces (blackwater).

The waste water must not contain any components which affect the materials of the pump or the manhole and its parts.

2.5 Accessories

All pumps of the type series SANIPUMP® ZPG 71 are delivered with 10 m of cable and free cable end. Optional:

- switching devices available as standard or special models with various level control systems;
- a coupling device (stationary operation) for the installation of the pump.

3. TRANSPORT AND TEMPORARY STORAGE

On principle, the pumps SANIPUMP® ZPG 71 should be lifted and/or transported using the eyelets on top or the handlebar designed for that purpose. Under no circumstances is the pump to be lifted on the power supply cable!

For temporary storage and conservation, it suffices if the pumps are stored in a cool, dry, frost-protected and dark place. In case of longer storage periods, please spin the impeller of the pump at least once per month to avoid the jamming of the mechanical seals.

4. DESCRIPTION

4.1 Motors

The pumps SANIPUMP® ZPG 71 are equipped with an AC asynchronous induction motor or a three-phase asynchronous motor. In each of the 3 motor windings one temperature sensors (bi-metal) is integrated which work as temperature regulator respectively temperature limiters (opener). If the motor overheats for any reason, the bimetallic contacts respond to this and the motor is switched off.

4.2 Pumps

The pump housing and the impeller are made of grey cast iron. The pumps are equipped with a flange DN 50.

4.3 Switching device

The pumps with 400 V three-phase motor are delivered **without** switchgear.

The pumps with 230 V motor are delivered with a switchgear with capacitor and motor protection.

5. INSTALLATION

DANGER



- Disconnect the power supply before carrying out any kind of work on the plant!
- The electrical connections are not to be exposed to humidity!

5.1 Electrical equipment

The **AC-powered model** of the pump must be operated with the supplied auxiliary switchgear. The pump is connected to an earthed wall socket with an earthed type plug by means of the cable which is connected to the switching device.

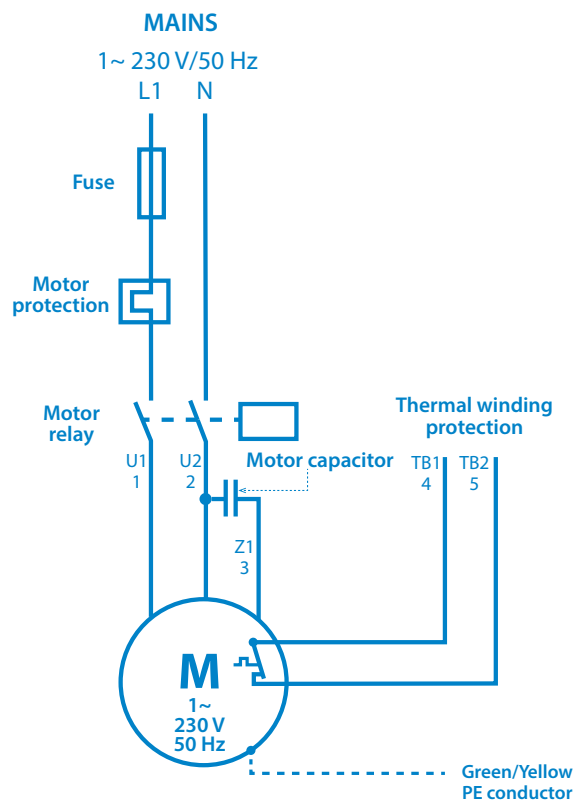
DANGER



- The switching device has to be installed outside the flood-endangered area!
- The floater for the protection against dry running has to be installed in such a way, so that a decline of the water level below the bottom line of the motor housing is not possible.

Further electrical installation is not necessary. If required, the motor housing can additionally be earthed by means of the external earthing terminal intended for that.

If an additional switching device is connected to the pump SANIPUMP® ZPG 71.1 S, it has to be connected as follows:



Three phase model:

The wires of the seven-wire connection cable of the pumps (three-phase model) are marked as follows:

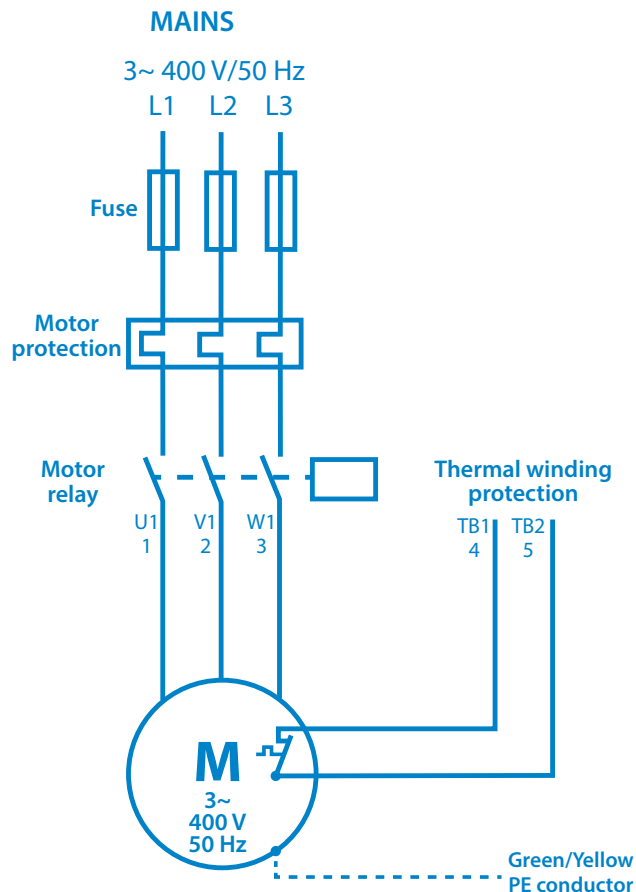
Green/Yellow	PE	Ground wire (earthing)
1	U1	Three windings, star connection
2	V1	
3	W1	

4	TB1	First contact control loop
5	TB2	Second contact control loop

DANGER

- The switching device has to be installed outside the flood-endangered area!
- The floater for the protection against dry running has to be installed in such a way, so that a decline of the water level below the bottom line of the motor housing is not possible.

Wiring diagrams three phase AC motor:



Connection of the thermal winding cover:

Control loop: T1 and T2 must be connected in a switching device in such a way, that the following function is guaranteed: when the temperature sensors respond, the pump is switched off until the temperature has dropped again. Now the pump is switched on again.

5.2 Hydraulic system

DANGER

The waste water pump must be protected effectively against the suction of air.

Installation with supporting ring:

- Mount supporting ring to intake flange of the pump and install pump. Ensure stability of the pump.
- Connect pressure side by means of flange DN 50.
- If a hose is to be laid on the pressure side, kinks are to be avoided.
- Avoid kinks during the laying of the supply cable. Lay supply cable without tensile loading and without causing chafe marks.

Installation for shaft fitting:

- Position pipe clamp on inner rim of the shaft and loosely fix it with two screws.

- Sound out position of guide pipe frame for coupling pedestal, adjust coupling pedestal on shaft bottom and mount it with the heavy-duty dowels which are included in the delivery.
- Install pressure pipe and valves in a tension-free manner.
- Slip the guide pipe on the coupling pedestal, shorten it to correct length, slip on pipe clamp and tighten it for good.
- Mount coupling element and lowering chain to the pump, lower pump with the chain (insert guide pipe into coupling element) and couple it, hang the chain up on the pipe clamp so that it is ready to hand.
- Lay supply cable. Avoid kinks and lay supply cable without tensile loading and without causing chafe marks.

5.3 Level control system

The pumps SANIPUMP® ZPG 71 have to be controlled by means of a level control in such a way, that a decline of the water level beneath the minimum allowable level (bottom line of motor housing) is avoided at all costs.

The level control can be effected by means of a floating switch, electropneumatically (press switch) or by means of other applicable methods. The switching point of the pump should be set in such a way, that the pump is entirely submersed under water.

6. COMMISSIONING

Check all connections for correct assembly, set gate valve on passage and check level control system for proper operation.

During the initial test run, check pipes for tightness and reseal them, if necessary.

7. MAINTENANCE AND REPAIR

 **DANGER**



Disconnect the power supply before carrying out any kind of work on the plant!

After an operation time of six to twelve months, the oil storage inside the seal carrier always has to be controlled as follows:

- put the pump on its side on a clean surface and position it in such a way that the oil filling screw faces upwards,
- take out the screw and check the oil level.

If only a small quantity of oil is lacking, the oil storage can be filled up without any problems. If a considerable quantity of oil is lacking, or if the oil is mingled with water, the customer department has to be informed.

All other maintenance works on the pump and on the electrical equipment should be carried out by the manufacturer or an authorised qualified company in intervals of six to twelve months (or also in shorter intervals, according to case of operation). Please immediately inform the customer department in case of damage to the pump and/or the electrical equipment.

8. MALFUNCTIONS, CAUSES AND TROUBLESHOOTING

 **DANGER**



Disconnect the power supply before carrying out any kind of work on the plant!

Malfunction	Cause	Elimination
1. Motor is not rotating	- absence of line voltage or improper line voltage	- check voltage supply
	- incorrect connection	- correct the connection
	- defective power cable	- replacement (customer service)
	- defective/wrong capacitor	- replacement (customer service)
	- impeller/cutting knife blocked	- cleaning
	- activated motor protection (overheating, blocking, improper voltage or other malfunction)	- inspection, inform customer service
	- control malfunction/defective floating switch	- inspection, inform customer service
2. Motor rotates but does not convey	- motor defective	- replacement (customer service)
	- impeller blocked or worn out	- cleaning/replacement
	- check valve blocked	- cleaning
	- gate valve blocked/closed	- cleaning/opening gate valve
	- pressure pipe blocked/hose buckled	- cleaning/eliminating kinks
	- intake socket blocked	- cleaning
	- incorrect rotating direction	- correction
3. Motor switches off during start-up	- water deficiency inside the shaft	- switch off/inform customer service
	- voltage improper or unsteady	- correction/customer service
	- thermal protection laid out incorrectly	- inspection/customer service
4. Motor does not switch off	- current consumption too high	- customer service
	- control malfunction	- customer service
	- wrong/defective floating switch	- replacement/customer service

9. WARRANTY

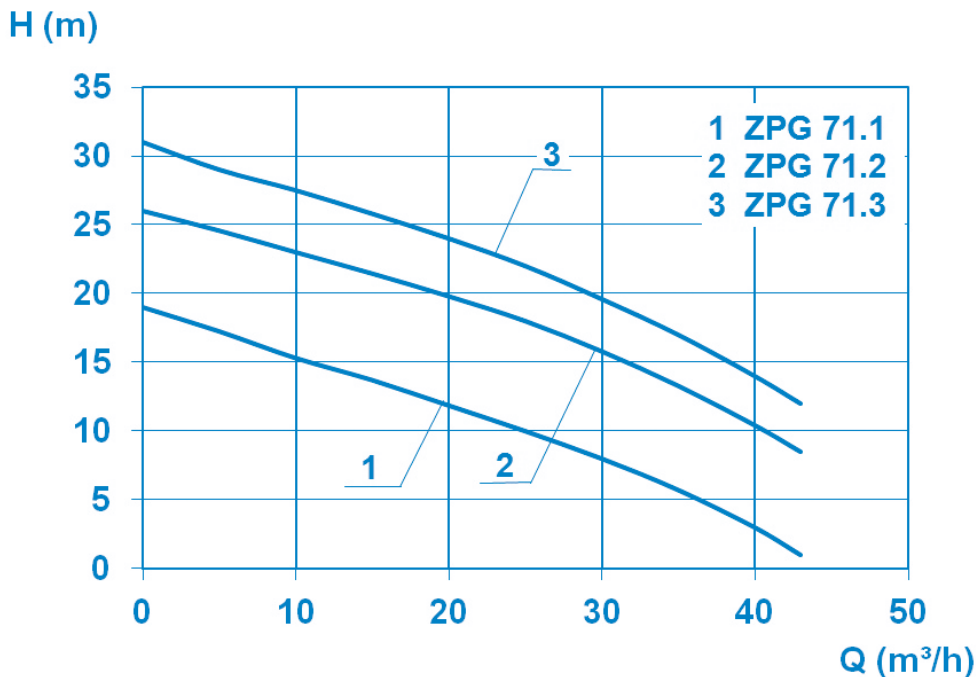
As the manufacturer, we provide a warranty of 24 months on these pumps from date of purchase. Your sales receipt will act as a proof of warranty. During that warranty period, we gratuitously remedy all deficiencies which are attributed to material or fabrication defects by either repairing the plant, or by replacing the defective parts (to our choice).

Defects which are attributed to misuse or wear are excluded from warranty. We will assume no responsibility for consequential damages that are caused by a breakdown of the plant. In case of a warranty claim, please contact your specialist retailer.

10. TECHNICAL MODIFICATIONS

We reserve all rights for technical modifications in terms of further development.

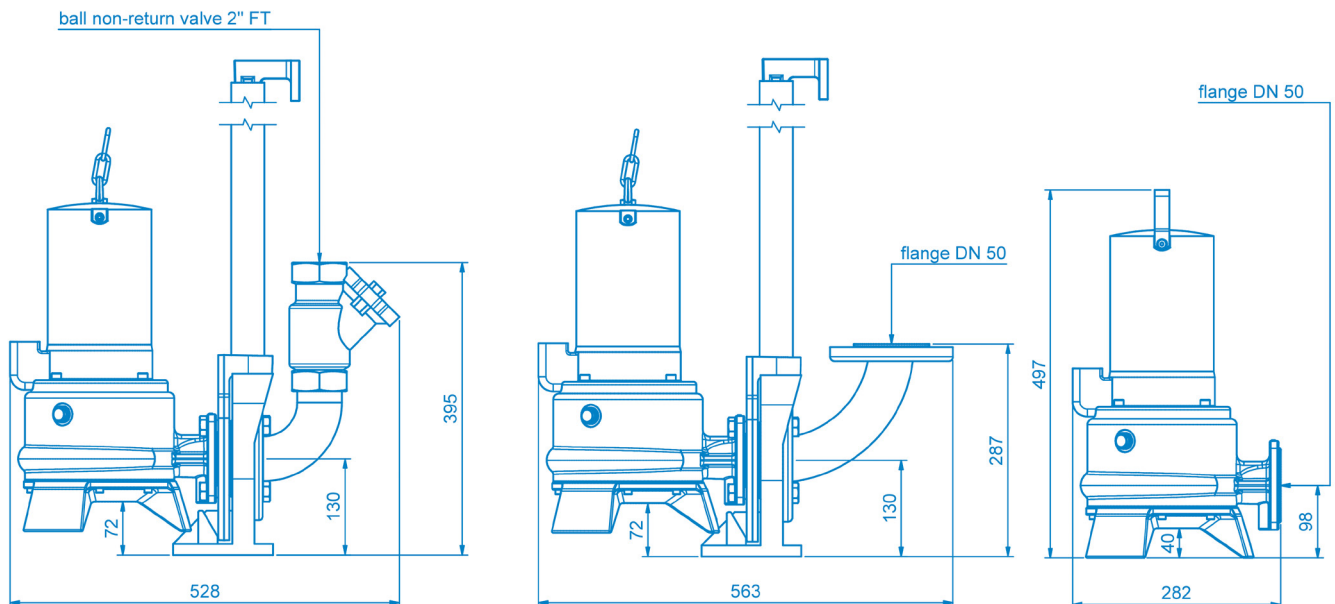
Appendix A: Characteristic curves



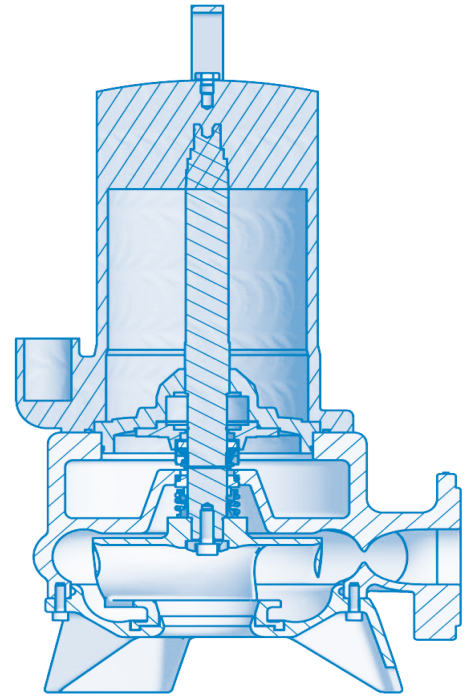
Appendix B: Pump dimensions

Fixed installation

Portable installation



Appendix C: Sectional drawing and list of spare parts



Pos.	Art. Nr.	Designation 1	Designation 2	Quantity
10	17842	Motor complete SANIPUMP® ZPG 71.1 S	with bearing flange	1
10	17840	Motor complete SANIPUMP® ZPG 71.1 D	with bearing flange	1
10	17370	Motor complete SANIPUMP® ZPG 71.2 T and ZPG 71.3 T		1
11	17854	Parallel key A6x6x10	Form A, DIN6885	1
20	17356	GLRD LD1/25-G38	BVPGG	1
30	17377	GLRD MG1/25-G6	Q1Q1PGG	1
40	11679	Locking ring A25x1,2	DIN471	1
50	17684	Pump housing ZPG 71		1
60	11138	Hexagon socket screw M8x30 A2	DIN 912	4
70	11645	Locking toothed disc S8x13x0,8A2		4
80	17783	Impeller ZPG 71.1	conically machined 21,8°	1
80	17782	Impeller ZPG 71.2		1
80	17780	Impeller ZPG 71.3		1
90	17350	Lid ZPG 71		1
100	10666	Hexagon socket screw M6x12 A2	DIN 912	4
110	19501	Hexagon socket screw M6x18 A2	DIN 912	4
120	11822	O-ring 160 x 3,5-NBR70		1
160	17375	Shim ring 20x30x0,1 1.4301		1
170	17376	Shim ring 20x30x0,5 1.4301		1
180	17352	Knife screwing ZPG 71		1
190	16381	Hexagon socket screw M8x25 A2		1
200	11672	Sealing ring 8x14x1 Cu		1
210	11663	Ring screw M8 A2	DIN 580	1
220	10700	Hexagon socket screw M6x8 A2	DIN 912	2
230	11639	Sealing screw G3/8	DIN910	2
240	11646	Sealing ring 17x22x1,5 Cu		2
250	11690	Wisura technical white oil NFW	Wisura white oil	1
	17468	Switch device ZPG 71.1 S 230V		1

1. SICHERHEIT	S.15
1.1 Kennzeichnung von Hinweisen in der Betriebsanleitung	S.15
1.2 Personalqualifikation	S.16
1.3 Gefahren bei Nichtbeachtung der Sicherheitshinweise.....	S.16
1.4 Sicherheitsbewußtes Arbeiten	S.16
1.5 Sicherheitshinweise für den Betreiber / Bediener	S.16
1.6 Sicherheitshinweise für Wartungs-, Inspektions- und Montagearbeiten	S.16
1.7 Eigenmächtiger Umbau und Ersatzteilherstellung	S.17
1.8 Unzulässige Betriebsweisen	S.17
2. ALLGEMEINES	S.17
2.1 Zugehörigkeit	S.17
2.2 Anfragen und Bestellungen.....	S.17
2.3 Technische Daten	S.18
2.4 Einsatzbereich	S.18
2.5 Zubehör	S.18
3. TRANSPORT UND ZWISCHENLAGERUNG	S.18
4. BESCHREIBUNG	S.18
4.1 Motoren.....	S.18
4.2 Pumpen	S.19
4.3 Schaltgerät.....	S.19
5. INSTALLATION	S.19
5.1 Elektrik.....	S.19
5.2 Hydraulik	S.21
5.3 Niveauregulierung	S.22
6. INBETRIEBNAHME	S.22
7. WARTUNG/INSTANDHALTUNG	S.22
8. STÖRUNGEN; URSACHEN UND BESEITIGUNG	S.22
9. GEWÄHRLEISTUNG	S.23
10. TECHNISCHE ÄNDERUNGEN	S.23
Anhang A: Kennlinien	S.24
Anhang B: Pumpenabmessungen.....	S.24
Anhang C: Schnittzeichnung und Ersatzteilliste	S.25

1. SICHERHEIT

(aus: "VDMA-Einheitsblatt 24 292")

ACHTUNG

Dieses Gerät darf von Kindern im Alter von mindestens 8 Jahren und von Personen mit eingeschränkten physischen, sensorischen und mentalen Fähigkeiten sowie von Personen ohne Erfahrung und Kenntnisse der Bedienung nur unter der Voraussetzung benutzt werden, dass sie ordnungsgemäß beaufsichtigt werden und in die sichere Bedienung des Geräts eingewiesen wurden und dass sie die möglichen Risiken verstanden haben. Kinder dürfen nicht mit dem Gerät spielen. Die Reinigung und Wartung durch den Nutzer darf nicht von unbeaufsichtigten Kindern durchgeführt werden.

STROMANSCHLUSS :

Die elektrische Montage muss von einem Elektrotechniker realisiert werden. Die Versorgungsleitung des Geräts muss geerdet (Klasse I) und durch einen Fehlerstromschutzschalter (FI) (30 mA) geschützt sein. Die Stromzufuhr muss über eine Sicherung, Trennung aller Pole (mindestens 3 mm Kontaktabstand), gewährleistet sein. Der Anschluss darf ausschließlich der Stromzufuhr des Geräts dienen.

Wenn das Stromkabel beschädigt ist, muss es vom Hersteller, seinem Kundendienst oder ähnlich qualifiziertem Fachpersonal ersetzt werden, um Gefahren zu vermeiden.

Diese Betriebsanleitung enthält grundlegende Hinweise, die bei Aufstellung, Betrieb und Wartung zu beachten sind. Daher ist diese Betriebsanleitung unbedingt vor Montage und Inbetriebnahme vom Monteur sowie dem zuständigen Fachpersonal/Betreiber zu lesen und muß ständig am Einsatzort der Maschine/Anlage verfügbar sein.

Es sind nicht nur die unter diesem Hauptpunkt Sicherheit aufgeführten, allgemeinen Sicherheitshinweise zu beachten, sondern auch die unter anderen Hauptpunkten eingefügten, speziellen Sicherheitshinweise, so z.B. für den privaten Gebrauch.

1.1 Kennzeichnung von Hinweisen in der Betriebsanleitung



Gefahr

Dieser Begriff definiert eine Gefahr mit erhöhtem Risiko, das zum Tod oder schweren Verletzungen führen kann, wenn sie nicht vermieden wird.



Gefahrenbereich

Dieses Symbol warnt in Kombination mit einem Schlüsselwort vor Gefahren, die zum Tod oder zu Verletzungen führen können.



Gefährliche elektrische Spannung

Dieses Symbol warnt in Kombination mit einem Schlüsselwort vor Gefahren der elektrischen Spannung und informiert über den Schutz vor elektrischer Spannung.

ACHTUNG



Sachschäden

Dieses Symbol warnt in Kombination mit dem Schlüsselwort **ACHTUNG** vor Gefahren für die Maschine.

Direkt an der Maschine angebrachte Hinweise wie z.B. drehrichtungspfeil, kennzeichen der Fluidanschlüsse, müssen unbedingt beachtet und in vollständig lesbarem Zustand gehalten werden.

1.2 Personalqualifikation und Schulung

Das Personal für Bedienung, Wartung, Inspektion und Montage muß die entsprechende Qualifikation für diese Arbeiten aufweisen. Verantwortungsbereich, Zuständigkeit und die Überwachung des Personals müssen durch den Betreiber genau geregelt sein. Liegen bei dem Personal nicht die notwendigen Kenntnisse vor, so ist dieses zu schulen und zu unterweisen. Dies kann, falls erforderlich, im Auftrag des Betreibers der Maschine durch den Hersteller/Lieferer erfolgen. Weiterhin ist durch den Betreiber sicherzustellen, daß der Inhalt der Betriebsanleitung durch das Personal voll verstanden wird.

1.3 Gefahren bei Nichtbeachtung der Sicherheitshinweise

Die Nichtbeachtung der Sicherheitshinweise kann sowohl eine Gefährdung für Personen als auch für Umwelt und Maschine zur Folge haben. Die Nichtbeachtung der Sicherheitshinweise kann zum Verlust jeglicher Schadensersatzansprüche führen.

Im Einzelnen kann Nichtbeachtung beispielsweise folgende Gefährdungen nach sich ziehen:

- Versagen wichtiger Funktionen der Maschine/Anlage
- Versagen vorgeschriebener Methoden zur Wartung und Instandhaltung
- Gefährdung von Personen durch elektrische, mechanische und chemische Einwirkungen
- Gefährdung der Umwelt durch Leckage von gefährlichen Stoffen.

1.4 Sicherheitsbewußtes Arbeiten

Die in dieser Betriebsanleitung aufgeführten Sicherheitshinweise, die bestehenden nationalen Vorschriften zur Unfallverhütung sowie eventuelle interne Arbeits-, Betriebs- und Sicherheitsvorschriften des Betreibers sind zu beachten.

1.5 Sicherheitshinweise für den Betreiber/Bediener

- Führen heiße oder kalte Maschinenteile zu Gefahren, müssen diese Teile bauseitig gegen Berührung gesichert sein.
- Berührungsschutz für sich bewegende Teile (z.B. Kupplung) darf bei sich in Betrieb befindlicher Maschine nicht entfernt werden.
- Leckagen (z.B. der Wellendichtung) gefährlicher Fördergüter (z.B. explosiv, giftig, heiß) müssen so abgeführt werden, daß keine Gefährdung für Personen und Umwelt entsteht. Gesetzliche Bestimmungen sind einzuhalten.
- Gefährdungen durch elektrische Energie sind auszuschließen (Einzelheiten hierzu siehe z.B. in den Vorschriften des VDE und der örtlichen Energieversorgungsunternehmen).

1.6 Sicherheitshinweise für Wartungs-, Inspektions- und Montagearbeiten

Der Betreiber hat dafür zu sorgen, daß alle Wartungs-, Inspektions- und Montagearbeiten von autorisiertem und qualifiziertem Fachpersonal ausgeführt werden, das sich durch eingehendes Studium der Betriebsanleitung ausreichend informiert hat.

Grundsätzlich sind Arbeiten an der Maschine nur im Stillstand durchzuführen. Die in der Betriebsanleitung beschriebene Vorgehensweise zum Stillsetzen der Maschine muß unbedingt eingehalten werden.

Pumpen oder Pumpenaggregate, die gesundheitsgefährdende Medien fördern, müssen dekontaminiert werden. Unmittelbar nach Abschluß der Arbeiten müssen alle Sicherheits- und Schutzeinrichtungen wieder angebracht bzw. in Funktion gesetzt werden.

Vor der (Wieder)inbetriebnahme sind die im Abschnitt Inbetriebnahme aufgeführten Punkte zu beachten.

1.7 Eigenmächtiger Umbau und Ersatzteilherstellung

Umbau oder Veränderungen der Maschine sind nur nach Absprache mit dem Hersteller zulässig. Originalersatzteile und vom Hersteller autorisiertes Zubehör dienen der Sicherheit. Die Verwendung anderer Teile kann die Haftung für die daraus entstehenden Folgen aufheben.

1.8 Unzulässige Betriebsweisen

Die Betriebssicherheit der gelieferten Maschine ist nur bei bestimmungsmäßiger Verwendung entsprechend Abschnitt 2 -Allgemeines der Betriebsanleitung gewährleistet. Die im Datenblatt angegebenen Grenzwerte dürfen auf keinen Fall überschritten werden.

Hinweis :

Um eine Verstopfung der Pumpe zu vermeiden dürfen folgende Stoffe nicht im Schmutzwasser enthalten sein:

- **Feste Stoffe, Faserstoffe, Teer, Sand, Zement, Asche, grobes Papier, Papierhandtücher, Feucht-tücher, Hygieneartikel, Pappe, Schutt, Müll, Schlachtabfälle, Fette, Öle.**
- **Abwasser mit schädlichen Stoffen (DIN 1986-100), z. B. fetthaltiges Abwasser von Großküchen. Die Einleitung darf nur über einen Fettabscheider nach DIN 4040-1 erfolgen.**

2. ALLGEMEINES

2.1 Zugehörigkeit

Diese Betriebsanleitung ist gültig für die Schmutzwasser-Tauchpumpen SANIPUMP® ZPG 71.

Bei Nichtbeachtung der Betriebsanleitung - insbesondere der Sicherheitshinweise - sowie beim eigen-mächtigen Umbau des Geräts oder dem Einbau von Nicht-Originalersatzteilen erlischt automatisch der Gewährleistungsanspruch. Für hieraus resultierende Schäden übernimmt der Hersteller keine Haftung!

Wie jedes andere Elektrogerät kann auch dieses Produkt durch fehlende Netzspannung oder einen technischen Defekt ausfallen. Wenn Ihnen dadurch ein Schadenentstehen kann, sollte entsprechend der Anwendung ein Notstromaggregat, eine zweite Anlage und/oder eine netzunabhängige Alarmanlage eingeplant werden. Auch nach dem Kauf stehen wir Ihnen als Hersteller zur Beratung gern zur Verfügung. Bei Defekten oder Schadensfällen wenden Sie sich bitte an Ihren Händler.

Baugrößen :

SANIPUMP® ZPG 71.1 S	SANIPUMP® ZPG 71.2 T
SANIPUMP® ZPG 71.1 T	SANIPUMP® ZPG 71.3 T

2.2 Anfragen und Bestellungen

Anfragen und Bestellungen richten Sie bitte an Ihren Fachhändler.

2.3 Technische Daten

SANIPUMP®	ZPG 71.1 S	ZPG 71.1 T	ZPG 71.2 T	ZPG 71.3 T
Aufnahmeleistung P1 [kW]	2,2	2,1	3,9	3,9
Nennleistung P2 [kW]	1,6	1,7	3,2	3,2
Spannung U [V]	230	400	400	400
Frequenz f [Hz]	50			
Nennstromaufnahme I [A]	10,5	3,7	6,5	6,5
Drehzahl n [min ⁻¹]	2800			
Max. Fördermenge Q _{max} [m ³ /h]	17			
Max. Förderhöhe H _{max} [m]	43	43	43	43
Max. Mediumstemperatur t _{max} [°C]	19	19	26	31
Druckanschluss	Flansch DN50			
Gewicht mit Kabel [kg]	38	38	38	44
Rel. Einschaltdauer ED	S1 - Dauerbetrieb (vollständig überflutet), S3 - 40 % (ausgetaucht)			
Mindest-Flüssigkeitsstand	Unterkante Motorgehäuse			

Werkstoffe

Motorgehäuse	GG 20	Lauftrad	GG 20
Motorwelle	1.4021	Sonstige Dichtungen	NBR, FPM
Pumpengehäuse	GG 20	Lagerhilfsflansch	ST 37-2
Lagerflansch	GG 20	Gleitringdichtungen	SiC (Siliziumkarbid)

2.4 Einsatzbereich

Die Schmutzwasser-Tauchpumpen Typ SANIPUMP® ZPG 71 dienen zur Entwässerung von Schmutzwasserschächten.

Die Abwässer dürfen keine Inhaltsstoffe enthalten welche die die Materialien der Pumpe des Schachtes oder der Schachteinbauteile angreifen.

2.5 Zubehör

Alle Pumpen der Baureihe SANIPUMP® ZPG 71 werden mit freiem Kabelende geliefert. Schaltgeräte für Pumpen sind in Standard- oder Sonderausführung mit verschiedenen Niveausteuerungen lieferbar. Zum stationären Aufstellen der Pumpe ist eine Kupplungseinrichtung lieferbar.

3. TRANSPORT UND ZWISCHENLAGERUNG

Die Pumpen SANIPUMP® ZPG 71 soll grundsätzlich an der hierfür vorgesehenen Öse an der Oberseite oder am Handgriff angehoben und/oder transportiert werden. Keinesfalls darf die Pumpe am Zuleitungskabel angehoben werden.

Zum Zwischenlagern der Pumpen genügt die Aufbewahrung an einem kühlen, trockenen, frostfreien und dunklen Ort. Das Lauftrad ist bei längerer Lagerung der Pumpe mindestens 1x pro Monat durchzudrehen um das Verkleben der Gleitringdichtungen zu verhindern.

4. BESCHREIBUNG

4.1 Motoren

Die Pumpen SANIPUMP® ZPG 71 sind mit einem Wechsel- bzw. Drehstrom-Asynchronmotor ausgestattet.

In jede der drei Motorwicklungen ist 1 Temperaturfühler (Bi-Metall) integriert, die als Temperaturregler (Öffner) arbeiten. Wird der Motor aus irgendeinem Grund zu heiß, so spricht der Temperaturregler an und schaltet den Motor ab. Der Motor darf dann bei Abkühlung automatisch wieder zuschalten.

4.2 Pumpen

Das Pumpengehäuse und das Laufrad sind aus Grauguss. Als Druckabgang besitzen die Pumpen einen Flansch DN 50.

4.3 Schaltgerät

Die Pumpen mit 400 V Drehstrommotor werden **ohne** Schaltgerät ausgeliefert.

Die Pumpen mit 230 V Wechselstrommotor werden mit einem Schaltgerät mit Kondensator und Motorschutz ausgeliefert.

5. INSTALLATION



- Vor allen Arbeiten an der Anlage ist die Stromversorgung zu unterbrechen.
- Die elektrischen Anschlüsse dürfen keiner Feuchtigkeit ausgesetzt werden.

5.1 Elektrik

Sicherheitsbestimmungen :

- Alle verwendeten Elektroanlagen müssen der Norm IEC 364 / VDE 0100 entsprechen, d.h., dass z. B. Steckdosen Erdungsklemmen aufweisen müssen.
- Der elektrische Anschluss darf nur von einer Elektrofachkraft durchgeführt werden! Die einschlägigen VDE Vorschriften 0100 beachten!
- Das elektrische Netz, an das die Anlage angeschlossen wird, muss über einen hochempfindlichen separaten FI-Schutzschalter IA <30 mA vor der Steuerung verfügen, oder um einem Ausfall der Steuerung beim Ansprechen des FI-Schutzschalters vorzubeugen, ist je Pumpe ein FI-Schutzschalter zwischen Steuerung und Pumpe zu installieren. Bei der Installation in Bade- und Duschräumen sind die entsprechenden DIN VDE 0100 Teil 701-Vorschriften zu beachten.
- Bitte beachten Sie die Vorschriften der EN 12 056-4.
- Bei Drehstromanschluss ist die externe Absicherung mit Sicherungsautomaten der Charakteristik K generell 3-polig mechanisch verriegelt auszuführen. Damit ist eine komplette Netztrennung sichergestellt und 2-Phasenlauf ausgeschlossen.
- Alle elektrischen Geräte wie Steuerung, Alarmgeber und Steckdose müssen in trockenen Räumen überflutungssicher installiert werden.
- Achtung! Vor jeder Montage und Demontage der Pumpe oder sonstiger Arbeiten an der Anlage ist diese vom elektrischen Netz zu trennen.
- Durch Überlastung kann sich der Motor überhitzen. Bei Überhitzung niemals die heißen Oberflächen am Motor berühren.
- Bei Verwendung eines Verlängerungskabels muss dieses qualitativ dem mitgelieferten Anschlusskabel entsprechen.

Die Pumpe in **Wechselstrom-Ausführung** muss mit dem mitgeliefertem Hilfsschaltgerät betrieben werden.

Die Pumpe wird mittels des an das Schaltgerät angeschlossenen Kabels mit Schuko-Stecker an eine Schutzkontaktsteckdose angeschlossen.

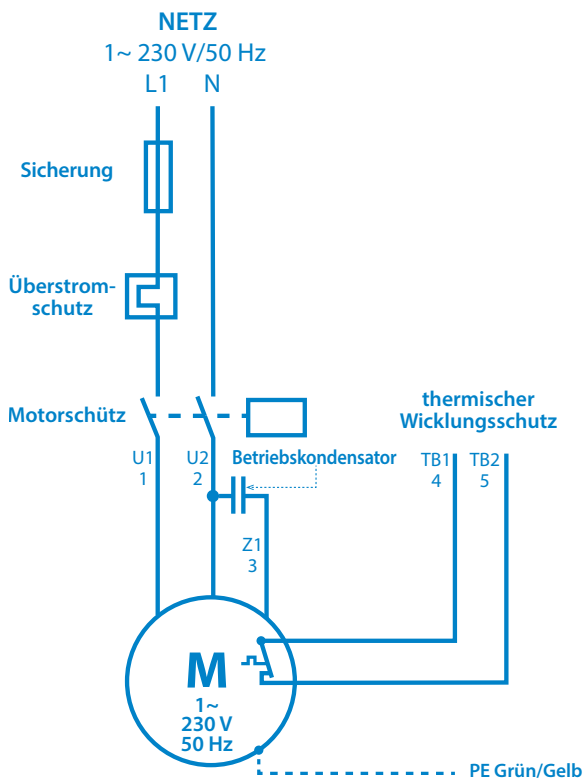
GEFAHR



- Das Schaltgerät muss außerhalb des überflutungsgefährdeten Bereichs angebracht werden!
- Der Schwimmer für den Trockenlaufschutz muss so angebracht werden, dass ein Absinken des Wasserstandes unter die Unterkante Motorgehäuse nicht möglich ist.

Eine weitere elektrische Installation ist nicht notwendig. Bei Bedarf kann das Motorgehäuse an der dafür vorgesehenen externen Erdungsklemme zusätzlich geerdet werden.

Wird ein Schaltgerät an die Pumpe SANIPUMP® ZPG 71.1 S angeschlossen, so erfolgt der Anschluss wie folgt :



Drehstromausführung :

Die Adern des 7-adrigen Anschlusskabels der Pumpen in Drehstrom-Ausführung sind folgendermaßen gekennzeichnet:

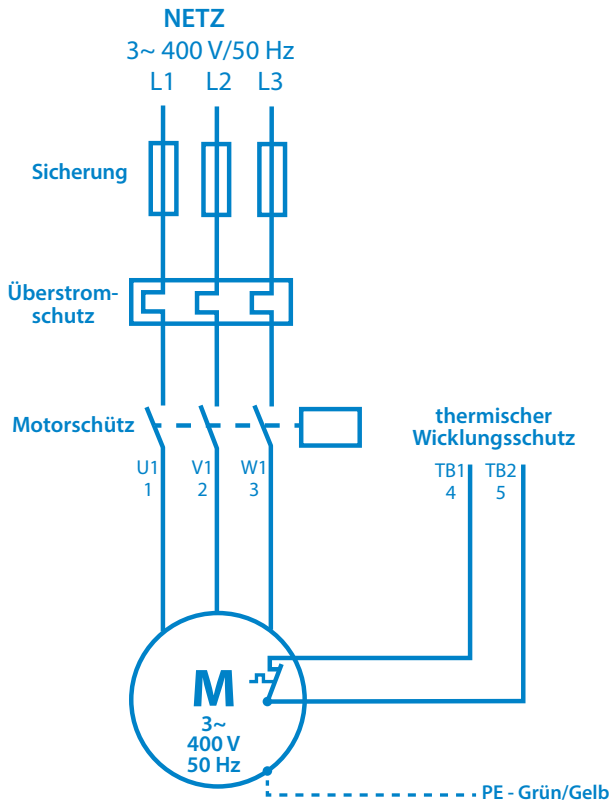
Grün/Gelb	PE	Schutzleiter (Erdung)
1	U1	Drei Wicklungen, Sternschaltung
2	V1	
3	W1	
4	TB1	erster Kontakt Regelkreis
5	TB2	zweiter Kontakt Regelkreis

GEFAHR



- Das Schaltgerät muss außerhalb des überflutungsgefährdeten Bereichs angebracht werden!
- Der Schwimmer für den Trockenlaufschutz muss so angebracht werden, dass ein Absinken des Wasserstandes unter die Unterkante Motorgehäuse nicht möglich ist.

Anschlussplan Drehsrommotor :



Anschluss des thermischen Wicklungsschutzes:

Regelkreis: TB1 und TB2 **müssen** in einem Schaltgerät so angeschlossen werden, das folgende Funktion gewährleistet wird: sprechen diese Thermofühler an, so wird die Pumpe abgeschaltet, bis die Temperatur wieder gefallen ist. Jetzt schaltet die Pumpe wieder ein.

5.2 Hydraulic system

ACHTUNG

Die Schmutzwassertauchpumpe muss wirksam gegen das Ansaugen von Luft geschützt werden!
Diese Pumpen dürfen nicht in Trockenaufstellung montiert werden, da der Explosionsschutz einen Mindestwasserstand bis Unterkante Motorgehäuse vorschreibt.

Aufstellung mit Bodenstützring :

- Bodenstützring am Ansaugflansch der Pumpe montieren und Pumpe aufstellen. Dabei auf ausreichende Standfestigkeit der Pumpe achten.
- Druckseite mit Flansch DN 50 anschließen.
- Sollte druckseitig ein Schlauch verlegt werden, so müssen Knickstellen vermieden werden.
- Versorgungskabel knickfrei, ohne Zugbelastung und ohne Scheuerstellen verlegen.

Aufstellung für Schachteinbau :

- Rohrspanner am Schachtinnenrand positionieren und mit zwei Schrauben lose fixieren.
- Position der Führungsrohraufnahme des Kupplungsfußes ausloten, Kupplungsfuß am Schachtboden ausrichten und mit den mitgelieferten Schwerlastdübeln montieren.
- Druckleitung und Armaturen spannungsfrei installieren.
- Führungsrohr auf Kupplungsfuß aufstecken, auf richtige Länge absägen, Rohrspanner aufstecken und endgültig festschrauben.

- Kupplungsstück und Ablasskette an Pumpe montieren, Pumpe an der Kette (Führungsrohr in Kupplungsstück einfädeln) ablassen und einkuppeln, Kette am Rohrspanner griffbereit einhängen.
- Versorgungskabel knickfrei, ohne Zugbelastung und ohne Scheuerstellen verlegen.

5.3 Niveauregulierung

Die Pumpen SANIPUMP® ZPG 71 müssen so über eine Niveauregulierung gesteuert werden, dass ein Absinken des Wasserstandes unter den minimal zulässigen Pegel (Unterkante Motorgehäuse) unbedingt vermieden wird.

Die Niveauregelung kann z.B. mittels Schwimmerschalter, elektropneumatisch (Druckschalter) oder durch andere geeignete Methoden erfolgen. Der Einschaltpunkt der Pumpe sollte so eingestellt werden, dass die Pumpe vollständig im Wasser eingetaucht ist.

Wird die Niveauregulierung über Schwimmerschalter realisiert, so muss das Signal der Schwimmer über eigensichere Ex i -Relais weitergegeben werden.

6. INBETRIEBNAHME

Alle Anschlüsse nochmals auf korrekte Montage überprüfen, Absperrschieber auf Durchlass stellen und Niveausteuern auf korrekte Funktion prüfen.

Bei der Durchführung des Probelaufes Rohrleitungen auf Dichtigkeit prüfen und gegebenenfalls neu eindichten.

7. WARTUNG/INSTANDHALTUNG



Vor allen Arbeiten ist die Anlage vom Netz zu trennen.



Nach jeweils halbjährlicher bis jährlicher Laufzeit muss der Ölvorrat im Dichtungsträger wie folgt kontrolliert werden: die Pumpe auf sauberem Untergrund so zur Seite legen, dass die Ölbefüllschraube nach oben zeigt. Diese Schraube wird herausgedreht und der Ölstand kontrolliert. Fehlt lediglich eine geringe Menge Öl, so kann der Ölvorrat problemlos ergänzt werden. Bei erheblichem Ölverlust oder einer Vermischung des Öls mit Wasser muss der Kundendienst informiert werden. Ist das Öl mit Wasser vermischt, sind die Gleitringdichtungen durch den Hersteller oder einen autorisierten Fachbetrieb zu kontrollieren und gegebenenfalls zu ersetzen.

Auch alle sonstigen Wartungsarbeiten an der Pumpe und an der elektrischen Anlage sollen halbjährlich bis jährlich (bzw. je nach Einsatzfall auch in kürzeren Intervallen) durch den Hersteller oder einen autorisierten Fachbetrieb durchgeführt werden. Bei Schäden an der Pumpe und/oder der elektrischen Anlage informieren Sie bitte umgehend den Kundendienst.

8. STÖRUNGEN; URSACHEN UND BESEITIGUNG



Vor allen Arbeiten an der Anlage ist der Netzstecker zu ziehen!



Störung	Ursache	Behebung
1. Motor dreht sich nicht	<ul style="list-style-type: none"> - Netzspannung fehlt bzw. falsch - fehlerhafter Anschluss - defektes Stromkabel - defekter/falscher Kondensator - Laufrad/Schneidmesser blockiert - aktivierter Motorschutz (Überhitzung, Blockierung, Spannungsfehler oder sonstiger Defekt) - Steuerungsfehler/defekter Schwimmerschalter - Motor defekt 	<ul style="list-style-type: none"> - Spannungsversorgung überprüfen - Anschluss korrigieren - Austausch (Kundendienst) - Austausch (Kundendienst) - Reinigen - Prüfen, Kundendienst informieren - Prüfen, Kundendienst informieren - Austausch (Kundendienst)
2. Motor dreht sich, fördert aber nicht	<ul style="list-style-type: none"> - Laufrad verstopft oder verschlissen - Rückschlagklappe verstopft - Absperrschieber verstopft/verschlossen - Druckleitung verstopft/ Schlauch geknickt - Ansaugstutzen verstopft - Drehrichtung falsch - Wassermangel im Schacht 	<ul style="list-style-type: none"> - Reinigen/Austausch - Reinigen - Reinigen/Öffnen - Reinigen /Knickstellen entfernen - Reinigen - Korrektur - Abschalten/Kundendienst informieren
3. Motor schaltet im Anlauf ab	<ul style="list-style-type: none"> - Spannung falsch bzw. schwankt - Thermoschutz falsch ausgelegt - Stromaufnahme zu hoch 	<ul style="list-style-type: none"> - Korrektur/Kundendienst - Prüfen/Kundendienst - Kundendienst
4. Motor schaltet nicht aus	<ul style="list-style-type: none"> - Steuerungsfehler - Schwimmerschalter falsch/defekt 	<ul style="list-style-type: none"> - Kundendienst - Austausch/Kundendienst

9. GEWÄHRLEISTUNG

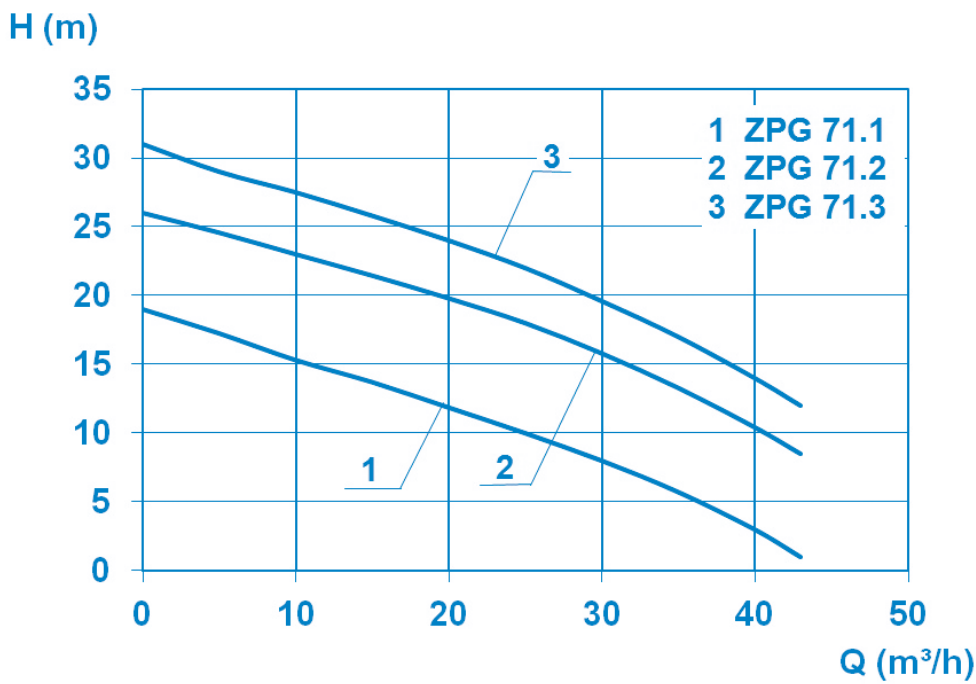
Als Hersteller übernehmen wir für diese Pumpen eine Gewährleistung von 24 Monaten ab Kaufdatum. Als Nachweis gilt Ihr Kaufbeleg. Innerhalb dieser Gewährleistungszeit beseitigen wir nach unserer Wahl durch Reparatur oder Austausch des Gerätes unentgeltlich alle Mängel, die auf Material- oder Herstellungsfehlern beruhen.

Von der Gewährleistung ausgenommen sind Schäden, die auf unsachgemäßen Gebrauch und Verschleiß zurückzuführen sind. Folgeschäden, die durch Ausfall des Gerätes auftreten, werden von uns nicht übernommen.

10. TECHNISCHE ÄNDERUNGEN

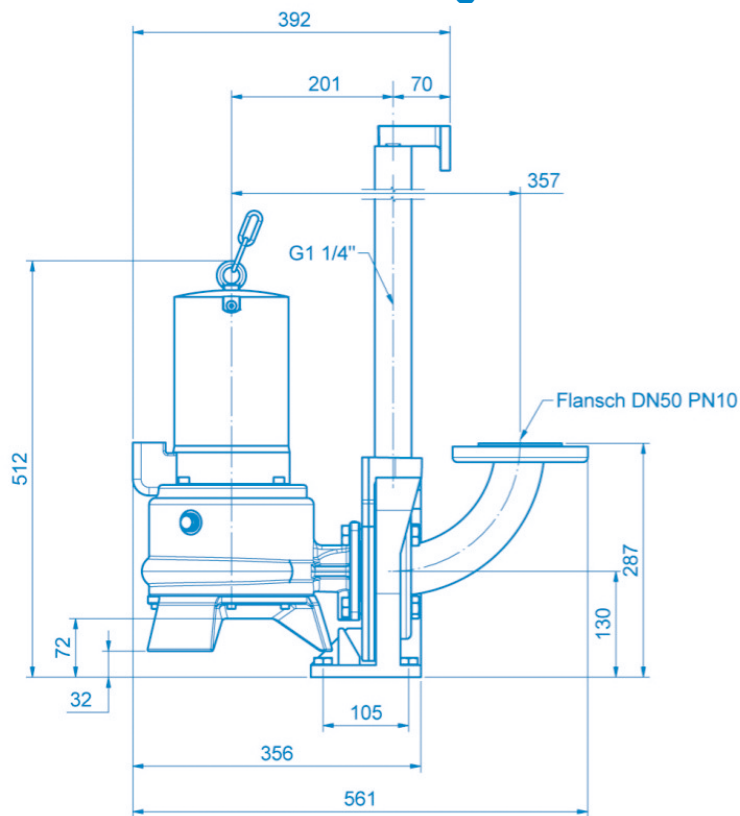
Technische Änderungen im Sinne der Weiterentwicklung vorbehalten wir uns vor.

Anhang A : Kennlinien

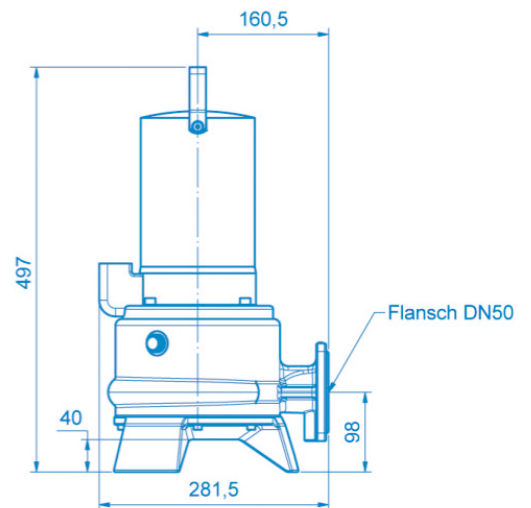


Anhang B : Pumpenabmessungen

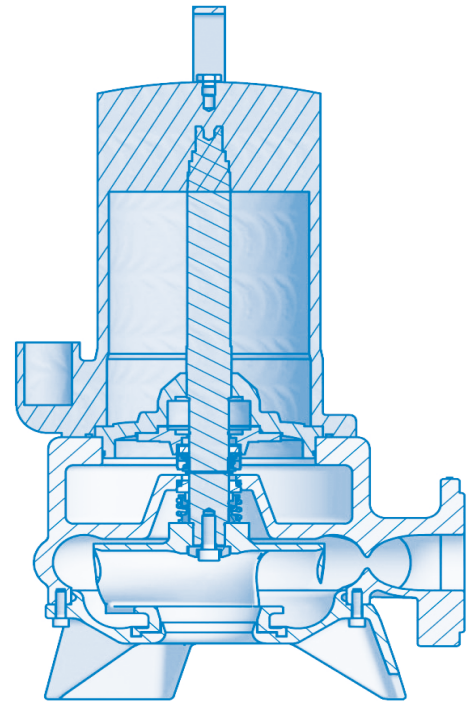
Schachteinbau mit Führungsrohr



Aufstellung mit Bodenstützring



Anhang C : Schnittzeichnung und Ersatzteilliste



Pos.	Art. Nr.	Bezeichnung 1	Bezeichnung 2	Menge
10	17842	Motor kompl ZPG 71.1 S	mit Lagerflansch	1
10	17840	Motor kompl ZPG 71.1 T	mit Lagerflansch	1
10	17841	Motor kompl ZPG 71.2 und 3 T		1
11	17854	Paßfeder A6x6x10	Form A, DIN6885	1
20	17356	GLRD LD1/25-G38	BVPGG	1
30	17377	GLRD MG1/25-G6	Q1Q1PGG	1
40	11679	Sicherungsring A25x1,2	DIN 471	1
50	17684	Pumpengehäuse_ZPG 71		1
60	11138	Innensechskantschr. M8x30 A2	DIN 912	4
70	11645	Sperrzahnscheibe S8x13x0,8 A2		4
80	17783	Laufgrad ZPG 71.1	konisch bearbeitet 21,8°	1
80	17782	Laufgrad ZPG 71.2		1
80	17780	Laufgrad ZPG 71.3		1
90	17779	Deckel ZPG 71		1
100	10666	Innensechskantschr. M6x12 A2	DIN 912	4
110	19501	Innensechskantschr. M6x18 A2	DIN 912	4
120	11822	O-Ring 160x3,5-NBR70		1
160	17375	Passscheibe 20x30x0,1 1.4301		1
170	17376	Passscheibe 20x30x0,5 1.4301		1
180	17352	Messerverschraubung ZFS 71		1
190	16381	Innensechskantschr. M8x25 A2	DIN 912	1
200	11672	Dichtring 8x14x1 Cu		1
210	11663	Ringschraube M8 A2	DIN 580	1
220	10700	Innensechskantschr. M6x8 A2	DIN 912	2
230	11639	Verschlußschraube G3/8	DIN 910	2
240	11646	Dichtring 17x22x1,5 Cu		2
250	11690	technisches Weißöl NFW	Weißöl Wisura	1
	17468	Schaltgerät ZPG 71.1 W 230 V		1

1. SÉCURITÉ	p.27
1.1 Identification des avertissements	p.27
1.2 Qualification et formation du personnel	p.28
1.3 Risques en cas de non-respect des consignes de sécurité	p.28
1.4 Travailler en toute sécurité	p.28
1.5 Consignes de sécurité pour l'exploitant/utilisateur	p.28
1.6 Consignes de sécurité pour les travaux de maintenance, d'inspection et de montage	p.28
1.7 Transformation et fabrication arbitraires de pièces de rechange	p.29
1.8 Modes d'exploitation non-autorisés	p.29
2. GÉNÉRAL	p.29
2.1 Appartenance	p.29
2.2 Demandes et réservations	p.30
2.3 Données techniques	p.30
2.4 Domaine d'application	p.30
2.5 Accessoires	p.30
3. TRANSPORT ET ENTREPOSAGE	p.30
4. DESCRIPTION	p.31
4.1 Moteurs	p.31
4.2 Pompes	p.31
4.3 Boîtier de commande	p.31
5. INSTALLATION	p.31
5.1 Système électrique	p.31
5.2 Hydraulique	p.33
5.3 Correcteur de niveau	p.34
6. MISE EN SERVICE	p.34
7. MAINTENANCE/ENTRETIEN	p.34
8. PANNES, CAUSES ET RÉOLUTION	p.35
9. GARANTIE	p.35
10. MODIFICATIONS TECHNIQUES	p.35
Annexe A: Caractéristiques	p.36
Annexe B: Dimensions de la pompe	p.36
Annexe C: Dessin en coupe et liste des pièces de rechange	p.37

1. SÉCURITÉ

ATTENTION

Cet appareil peut être utilisé par des enfants âgés d'au moins 8 ans et par des personnes ayant des capacités physiques sensorielles ou mentales réduites ou dénuées d'expérience ou de connaissance, s'ils (si elles) sont correctement surveillé(e)s ou si des instructions relatives à l'utilisation de l'appareil en toute sécurité leur ont été données et si les risques encourus ont été appréhendés. Les enfants ne doivent pas jouer avec l'appareil. Le nettoyage et l'entretien par l'utilisateur ne doivent pas être effectués par des enfants sans surveillance.

RACCORDEMENT ELECTRIQUE :

L'installation électrique doit être réalisée par un professionnel qualifié en électrotechnique.

Le circuit d'alimentation de l'appareil doit être relié à la terre (classe I) et protégé par un disjoncteur différentiel haute sensibilité (30 mA). Les appareils sans prise doivent être connectés à un interrupteur principal sur l'alimentation électrique qui assure la déconnexion de tous les pôles (distance de séparation des contacts de 3 mm minimum).

Le raccordement doit servir exclusivement à l'alimentation de l'appareil. Si le câble d'alimentation est endommagé, il doit être remplacé par le fabricant, son service après-vente ou des personnes de qualification similaire afin d'éviter un danger.

Le présent mode d'emploi contient des instructions essentielles qui doivent être observées lors de la mise en place, de l'exploitation et de la maintenance. Pour cette raison, il doit impérativement être lu par le monteur avant le montage et la mise en service, ainsi que par le personnel spécialisé/l'exploitant responsable et doit être continuellement disponible sur le lieu d'exploitation de la machine/de l'installation.

Il faut non seulement respecter les consignes de sécurité générales présentées dans la section 1-Sécurité, mais aussi les consignes de sécurité spéciales, présentées dans les autres sections.

1.1 Identification des avertissements



Danger

Ce terme définit un danger à risques élevés pouvant conduire au décès ou à une blessure grave, s'il n'est pas évité.



Zone dangereuse

Ce symbole caractérise des dangers pouvant conduire à la mort ou à des blessures.



Tension électrique dangereuse

Ce symbole caractérise des dangers inhérents à la tension électrique et donne des informations sur la protection contre la tension électrique.

ATTENTION



Dégâts matériels

Ce symbole caractérise, en combinaison avec le mot-clé **ATTENTION**, des dangers pour la machine.

Les consignes indiquées directement sur la machine (ex: flèche indiquant le sens de rotation, repère de raccords de fluides) doivent impérativement être respectées et maintenues dans des conditions suffisamment lisibles.

1.2 Qualification et formation du personnel

Le personnel qui intervient pour l'utilisation, l'entretien, l'inspection et le montage doit disposer des qualifications adéquates pour ce travail. Le domaine de responsabilité, la compétence et la surveillance du personnel doivent être précisément réglementées par l'exploitant. Si le personnel ne dispose pas des connaissances nécessaires, il doit alors être formé et instruit. Le cas échéant, cela peut être effectué par le fabricant/fournisseur, sur demande de l'exploitant de la machine. L'exploitant doit également s'assurer que le contenu du mode d'emploi est entièrement compris par le personnel.

1.3 Risques en cas de non-respect des consignes de sécurité

Le non-respect des consignes de sécurité peut aussi bien avoir pour conséquence la mise en danger des personnes que celle de l'environnement et de la machine. Le non-respect des consignes de sécurité peut conduire à l'annulation de l'ensemble des prétentions de dommages et intérêts. Plus exactement, le non-respect des consignes peut **par exemple** entraîner les mises en danger suivantes :

- défaillances importantes de la machine/installation ;
- défaillances des méthodes prescrites pour la maintenance et l'entretien ;
- mise en danger des personnes provoquée par les actions électriques, mécaniques et chimiques ;
- mise en danger de l'environnement par la fuite de substances dangereuses dans l'environnement.

1.4 Travailler en toute sécurité

Outre les consignes de sécurité contenues dans ce mode d'emploi, les réglementations nationales en vigueur sur la prévention des accidents, ainsi que les réglementations de sécurité, de travail et de fonctionnement internes de l'exploitant doivent être respectées.

1.5 Consignes de sécurité pour l'exploitant/utilisateur

- Sécuriser les pièces chaudes ou froides dont le contact présente un danger pour l'exploitant/l'utilisateur.
- Les protections contre les contacts accidentels avec les pièces en mouvement présentes sur la machine ne doivent pas être retirées lors de l'exploitation.
- Les fuites (par ex., huile de lubrification) de matières à transporter dangereuses doivent être évacuées de façon à ne pas mettre en péril les personnes et l'environnement. Les dispositions légales doivent être respectées.
- Les dangers liés à l'alimentation électrique doivent être exclus (pour plus de détails, voir par ex. les réglementations en vigueur et des entreprises prestataires d'alimentation en électricité locales).

1.6 Consignes de sécurité pour les travaux de maintenance, d'inspection et de montage

L'exploitant doit s'assurer que tous les travaux d'entretien, d'inspection et de montage sont effectués par du personnel qualifié et autorisé, qui s'est informé par une étude suffisante du mode d'emploi.

Les interventions sur la machine doivent essentiellement être effectuées à l'arrêt. La procédure

de mise à l'arrêt de la machine décrite dans le mode d'emploi doit impérativement être respectée.

Les pompes ou groupes de pompes qui refoulent des fluides nocifs pour la santé doivent être décontaminés. Immédiatement après les interventions, tous les dispositifs de protection et de sécurité doivent être remis en place ou en état de fonctionnement.

Avant la (re)mise en service, respecter les points contenus dans la section *6-Mise en service*.

1.7 Transformation et/ou modification arbitraires de pièces de rechange

Toute transformation et/ou modification de l'appareil ne sont autorisées qu'après concertation avec le fabricant. Seules les pièces de rechange d'origine et les accessoires autorisés par le fabricant garantissent la sécurité. En cas d'utilisation d'autres pièces ou de modifications de pièces d'origine, le fabricant ne sera en aucun cas tenu responsable des conséquences.

1.8 Modes d'exploitation non-autorisés

La sécurité de fonctionnement des appareils livrés n'est garantie que pour une utilisation conforme à la section *2-Général* du mode d'emploi. Les valeurs limites indiquées dans la fiche technique ne doivent en aucun cas être dépassées.

Remarque:

Les substances suivantes ne doivent pas se trouver dans les eaux usées afin d'éviter un blocage de la pompe:

- **Matières solides, matières fibreuses, goudron, sable, ciment, cendres, papier grossier, lingettes humides, articles de soins corporels, carton, débris, déchets, abats, graisses, huiles.**
- **Les eaux usées contenant des substances nocives, par exemple eaux usées grasses provenant de cuisines collectives. L'évacuation ne peut s'effectuer que par un séparateur de graisse conformément à la norme EN 1825.**

2. GÉNÉRAL

2.1 Introduction

Le présent mode d'emploi s'applique aux pompes submersibles pour évacuation des eaux grises SANIPUMP® ZPG 71.

En cas de non-respect de ce mode d'emploi, en particulier des consignes de sécurité, et en cas de transformation arbitraire de l'appareil ou de l'utilisation de pièces de rechange non originales, la garantie s'annule automatiquement. De plus, le fabricant décline toute responsabilité pour les dommages qui en découlent !

Comme tout appareil électrique, ce produit peut aussi tomber en panne en raison d'une absence de tension secteur ou d'un défaut technique. Afin d'éviter tout dommage, un groupe électrogène de secours, une pompe à membrane manuelle et/ou un système d'alarme indépendant du réseau doivent être prévus en fonction de l'application. Le fabricant reste à disposition pour tout conseil, y compris après l'achat. En cas de défaut ou de dommages, veuillez vous adresser à votre revendeur.

Versions:

SANIPUMP® ZPG 71.1 S	SANIPUMP® ZPG 71.2 T
SANIPUMP® ZPG 71.1 T	SANIPUMP® ZPG 71.3 T

2.2 Demandes et réservations

Veuillez adresser vos demandes et réservations à votre revendeur spécialisé.

2.3 Données techniques

SANIPUMP®	ZPG 71.1 S	ZPG 71.1 T	ZPG 71.2 T	ZPG 71.3 T
Puissance absorbée P1 [kW]	2,2	2,1	3,9	3,9
Puissance nominale P2 [kW]	1,6	1,7	3,2	3,2
Tension U [V]	230	400	400	400
Fréquence f [Hz]	50			
Courant nominal absorbé I [A]	10,5	3,7	6,5	6,5
Vitesse de rotation n [min ⁻¹]	2800			
Débit de refoulement maximum Q _{max} [m ³ /h]	43	43	43	43
Hauteur de refoulement maximale H _{max} [m]	19	19	26	31
Température maximale du fluide t _{max} [°C]	40			
Raccord de refoulement	Bride DN50			
Poids, câbles inclus [kg]	38	38	38	44
Rel. Durée de mise en circuit ED	S1- Fonctionnement continu (entièrement immergée), S3 - 40 % (à pression atmosphérique)			
Niveau de liquide minimum	Bord inférieur du carter moteur			

Matériaux

Carter du moteur	GG 20	Roue d'entraînement	GG 20
Arbre moteur	1.4021	Bride de support auxiliaire	ST 37-2
Carter de pompe	GG 20	Garniture mécanique d'étanchéité	SiC (Carbure de silicium)
Bride de support	GG 20	Autres joints	NBR, FPM

2.4 Domaine d'application

Les pompes submersibles pour eaux grises SANIPUMP® ZPG 71 servent à l'évacuation des réservoirs d'eaux grises. L'utilisation de cette pompe ne convient pas pour l'évacuation d'eaux usées contenant des matières fécales (eaux noires). Les eaux grises ne doivent pas contenir de substances abrasives pour les matériaux de la pompe, de la cuve ou des composants de la cuve.

2.5 Accessoires

Toutes les pompes de la série SANIPUMP® ZPG 71 sont livrées avec une extrémité de câbles libres (sans prise). Sont disponibles en option pour la pompe: un boîtier de commande en version standard ou spéciale (différents capteurs de niveau possibles) et un dispositif de montage fixe de la pompe.

3. TRANSPORT ET ENTREPOSAGE

Les pompes SANIPUMP® ZPG 71 doivent toujours être soulevées et/ou transportées par les anneaux ou la poignée de transport prévus à cet effet sur la partie supérieure. Il ne faut en aucun cas soulever la pompe par le câble d'alimentation.

Pour le stockage intermédiaire des pompes, il suffit de les stocker dans un endroit frais, sec, à l'abri du gel et de la lumière. Le rotor doit être tourné au moins une fois par mois en cas de stockage prolongé de la pompe, afin d'éviter que les garnitures mécaniques ne collent les unes aux autres.

4. DESCRIPTION

4.1 Moteurs

Les pompes SANIPUMP® ZPG 71 sont équipées d'un moteur asynchrone à courant alternatif. Dans chacun des trois bobinages du moteur, une sonde de température (bi-métal) est intégrée et fonctionnent comme régulateur de température ou limiteur de température (contact à ouverture). Si pour une raison quelconque, le moteur chauffe trop, le régulateur de température se déclenche d'abord et coupe l'alimentation électrique du moteur. Le moteur se remet alors en marche automatiquement une fois refroidi.

4.2 Pompes

Le corps de pompe et la roue sont en fonte grise. Les pompes possèdent une bride DN 50 en guise de sortie de refoulement.

4.3 Boîtier de commande

Les pompes avec moteur triphasé 400 V sont livrées **sans** boîtier de commande.

Les pompes avec moteur 230 V sont livrées avec un boîtier de commande, avec condensateur et protection moteur.

5. INSTALLATION



- **Débrancher électriquement avant toute intervention.**
- **Les branchements électriques ne doivent pas être exposés à de l'humidité.**

5.1 Système électrique

Dispositions de sécurité:

- **Toutes les installations électriques utilisées doivent correspondre à la norme IEC 364 / VDE 0100, ce qui signifie que les prises de courant doivent, par exemple, être équipées de bornes de terre.**
- **Le branchement électrique doit être réalisé uniquement par un électricien!**
- **Le réseau électrique sur lequel l'installation est branchée doit être pourvu d'un disjoncteur différentiel séparé à haute sensibilité (<30 mA) en amont de la commande, ou, afin de prévenir une panne de la commande en cas d'enclenchement du disjoncteur différentiel, un disjoncteur différentiel doit être installé entre la commande et la pompe. En cas d'installation dans les pièces de bain ou de douche, les prescriptions NF C 15-100 correspondantes doivent être observées.**
- **Veillez observer les prescriptions de la norme EN 12 056-4.**
- **Dans le cas d'une connexion triphasée, le fusible externe doit généralement être muni de disjoncteurs tripolaires à verrouillage mécanique à 3 pôles avec la caractéristique K. Ceci assure une isolation complète du réseau et empêche le fonctionnement en biphasé.**
- **Tous les équipements électriques, telles que le boîtier de commande, les alarmes et les prises de courant, doivent être installés dans des pièces sèches et protégées contre les risques d'inondation.**

- **Attention! Débrancher l'installation du secteur avant chaque montage/démontage de la pompe ou tout autre travaux sur l'installation.**
- **Le moteur peut surchauffer en cas de surcharge. En cas de surchauffe, ne jamais toucher les surfaces brûlantes du moteur.**
- **En cas d'utilisation d'une rallonge, celle-ci doit correspondre qualitativement au câble de raccordement fourni dans la livraison.**

La pompe en version à courant alternatif doit être utilisée avec le dispositif de commutation auxiliaire fourni.

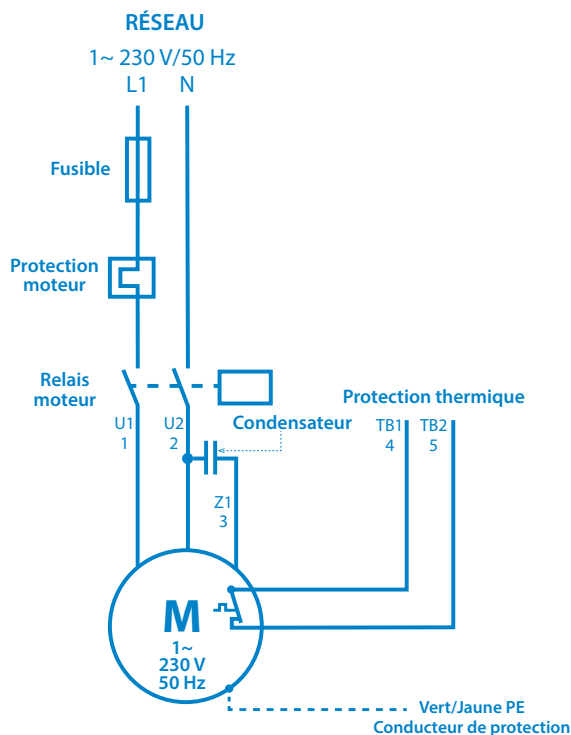
La pompe est branchée sur une prise électrique connectée à la terre grâce à un câble avec prise Schuko raccordé sur l'appareil.



- **Le boîtier de commande doit être installé à l'extérieur de la zone à risque d'inondation!**
- **Le flotteur de protection contre la marche à sec doit être installé de façon à rendre impossible l'abaissement du niveau d'eau en-dessous du bord inférieur du carter moteur.**

Aucune autre installation électrique supplémentaire n'est nécessaire. Si besoin, le carter moteur peut être mis à la terre sur la borne de terre externe prévue à cet effet.

Si un boîtier de commande est branché sur la pompe SANIPUMP® ZPG 71.1 le branchement est réalisé comme suit:



Modèle à courant alternatif:

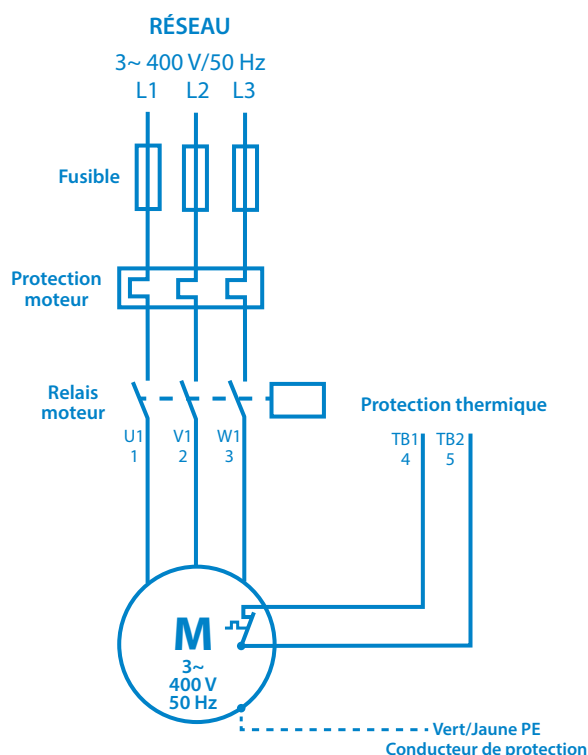
Les fils du câble de raccordement à 7 fils pour la pompe en modèle à courant alternatif sont définis comme suit:

Vert/Jaune	PE	Ligne de terre (prise de terre)
1	U1	3 bobines, branchement en étoile
2	V1	
3	W1	
4	TB1	Premier contact pour circuit de régulation
5	TB2	deuxième contact pour circuit de régulation

DANGER

- Le boîtier de commande doit être installé à l'extérieur de la zone à risque d'inondation!
- Le flotteur de protection contre la marche à sec doit être installé de façon à rendre impossible l'abaissement du niveau d'eau en-dessous du bord inférieur du carter moteur.

Schéma de connexion du moteur triphasé à courant alternatif :



Raccordement de la protection thermique du bobinage :

Circuit de régulation: TB1 et TB2 doivent être raccordés dans un boîtier de commande tels que : si ces capteurs thermiques s'enclenchent, la pompe est arrêtée jusqu'à ce que la température retombe. La pompe se rallume alors.

5.2 Hydraulique

ATTENTION

- La pompe submersible doit être protégée efficacement contre l'aspiration d'air!
- Ces pompes ne doivent pas être montées dans une installation sèche car la protection contre les explosions prescrit un niveau d'eau minimum jusqu'au bord inférieur du carter du moteur.

Pose avec couronne d'appui au sol:

- Monter la couronne de support au sol sur la bride d'aspiration de la pompe et installer la pompe. S'assurer que la pompe est suffisamment stable.
- Raccorder le côté refoulement avec la bride DN 50.
- Si un tuyau flexible est utilisé côté refoulement, éviter les coudes.
- Poser le câble d'alimentation sans point de compression, sans contraintes de traction et sans zone de frottement.

Mise en place pour installation dans une cuve:

- Placer le collier de serrage sur le bord intérieur de la cuve et le fixer sans serrer avec deux vis.
- Vérifier la position du logement du tube de guidage de l'embase de couplage.
- Aligner l'embase de couplage sur le fond de la cuve et la monter avec les chevilles à usage intensif fournies.
- Installer la conduite de refoulement et les vannes sans tension.
- Brancher le(s) tube(s) de guidage sur l'embase de couplage, le(s) scier à la bonne longueur, insérer l'attache de tube puis visser fermement.
- Monter la pièce de guidage et la chaîne de traction sur la pompe. Enfiler le tube de guidage dans la pièce de guidage et faire glisser la pompe en la maintenant avec la chaîne. Relâcher quand la pompe est en place. Accrocher la chaîne sur l'attache à portée de main.
- Poser le câble d'alimentation sans point de compression, sans contraintes de traction et sans zone de frottement.

5.3 Correcteur de niveau

Les pompes SANIPUMP® ZPG 71 doivent être commandées par un système de contrôle de niveau de telle sorte qu'une baisse du niveau d'eau en-dessous du niveau minimum admissible (bord inférieur du carter moteur) soit absolument évitée.

Le niveau peut être contrôlé par un interrupteur à flotteur, un pressostat ou par tout autre méthode appropriée. Le point d'enclenchement de la pompe doit être réglé de façon à ce que la pompe soit entièrement immergée dans l'eau.

Si la régulation du niveau est réalisée via un interrupteur à flotteur, le signal du flotteur doit être transmis par des relais à sécurité Ex i intrinsèque.

6. MISE EN SERVICE

Vérifier à nouveau le montage correct de tous les raccordements, régler la vanne de verrouillage sur ouverture et contrôler le fonctionnement correct du capteur de niveau.

Lors de cet essai de fonctionnement, contrôler l'étanchéité des conduites, et les colmater si nécessaire.

7. MAINTENANCE/ENTRETIEN



Débrancher électriquement avant toute intervention !

Après chaque période de fonctionnement de six mois à un an, vérifier le niveau d'huile dans le porte-joint comme suit :

- Placer la pompe sur une surface propre, de sorte que le bouchon de remplissage d'huile soit orienté vers le haut.
- Contrôler le niveau d'huile.
- S'il manque une faible quantité d'huile, compléter simplement la réserve avec de l'huile. En cas de perte d'huile importante, ou d'un mélange de l'huile avec l'eau, informer le service SAV. Si de l'huile est mélangée à l'eau, les garnitures mécaniques doivent être contrôlées par le fabricant ou une entreprise spécialisée autorisée, voire être remplacées si nécessaire.

Tous les autres travaux d'entretien de la pompe et du système électrique doivent également être effectués par le fabricant ou par un spécialiste agréé tous les six mois ou tous les ans (ou à des intervalles plus courts selon l'application). En cas d'endommagement de la pompe et/ou du système électrique, veuillez en informer immédiatement le service après-vente.

8. PANNES, CAUSES ET RÉOLUTION



Débrancher électriquement avant toute intervention !

Panne	Cause	Résolution
1. Le moteur ne tourne pas	<ul style="list-style-type: none">- absence de tension ou tension trop faible- connexion d'alimentation incorrecte- câble d'alimentation défectueux- condensateur défectueux/erroné- rotor ou roue bloqué- protection du moteur activée (surchauffe, blocage, défaut de tension...)- erreur de commande / commutateur du moteur défectueux- défaillance du moteur	<ul style="list-style-type: none">- contrôler l'alimentation électrique- corriger- remplacement (service SAV)- remplacement (service SAV)- nettoyer- contrôler/informer le service SAV- contrôler/informer le service SAV- remplacement (service SAV)
2. Le moteur tourne mais ne refoule pas de liquide	<ul style="list-style-type: none">- roue obstruée ou usée- clapet anti-retour obstrué- vanne de verrouillage obstruée ou fermée- conduite de refoulement obstruée/flexible plié- tubulure d'aspiration obstruée- sens de rotation incorrect- manque d'eau dans la cuve	<ul style="list-style-type: none">- nettoyage/remplacement- nettoyer- nettoyer/ouvrir- nettoyer/éliminer les points de compression- nettoyer- corriger- désactiver/informer le service SAV
3. Le moteur tourne et s'arrête	<ul style="list-style-type: none">- tension erronée ou fluctuante- thermocontacteur mis en place de manière incorrecte- consommation de courant trop élevée	<ul style="list-style-type: none">- corriger/service SAV- contrôler/service SAV- service SAV
4. Le moteur ne s'arrête pas	<ul style="list-style-type: none">- défaut de commande- fonction du manocontacteur incorrecte	<ul style="list-style-type: none">- service SAV- remplacement/service SAV

9. GARANTIE

En tant que fabricant, nous prenons en charge une garantie de 24 mois à partir de la date d'achat de cette pompe.

La facture en votre possession sert de preuve. Pendant la durée de cette garantie, nous éliminons sans frais, à notre discrétion par réparation ou remplacement, tous les défauts ayant pour origine un vice de matériau ou de fabrication.

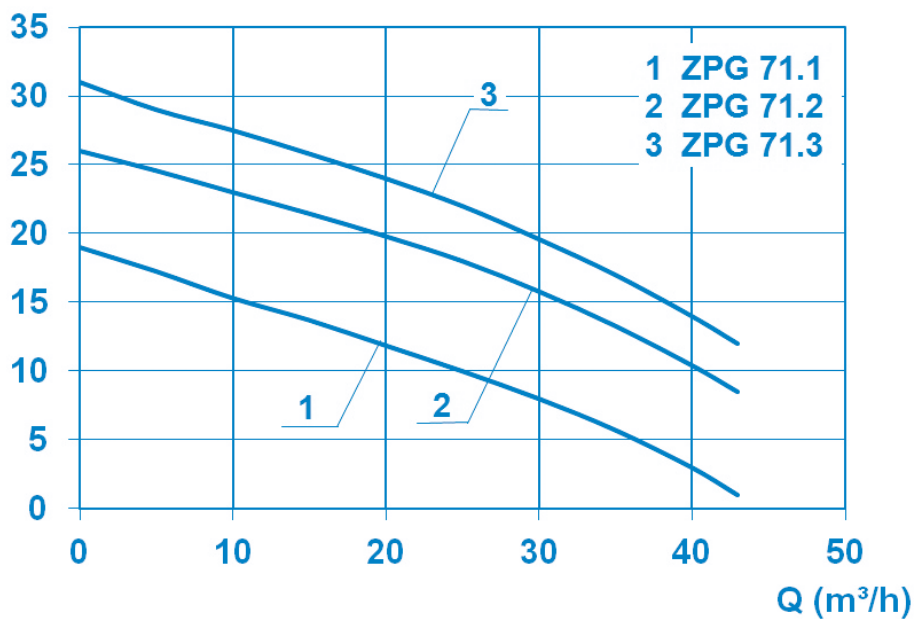
Les dommages ayant pour origine une utilisation non-conforme et l'usure sont exclus de la garantie. Nous déclinons toute responsabilité en matière de dommages consécutifs liés à une panne de l'équipement.

10. MODIFICATIONS TECHNIQUES

Nous nous réservons le droit d'effectuer des modifications techniques dans le cadre d'une amélioration technique.

Annexe A: Caractéristiques

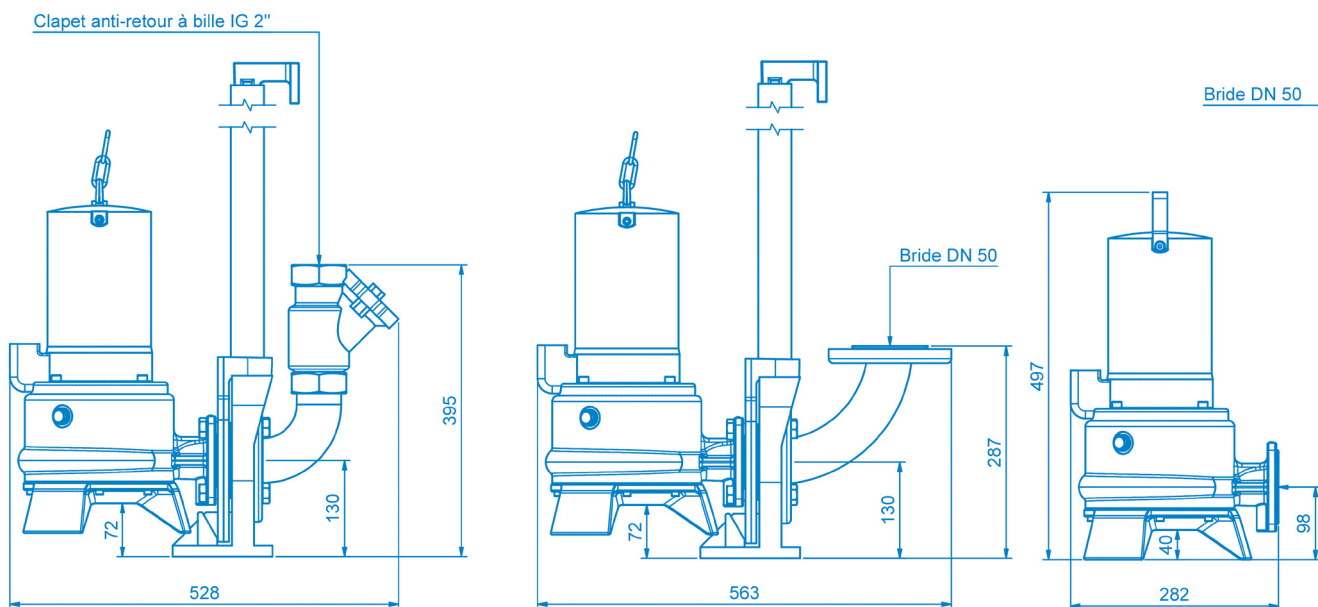
H (m)



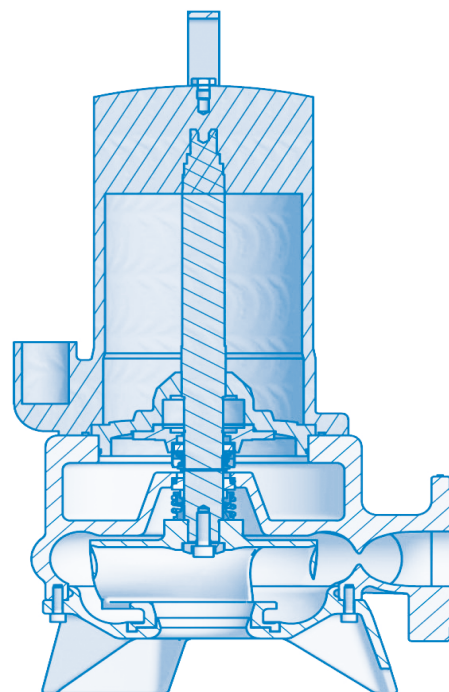
Annexe B: Dimensions de la pompe

Encastrement avec tubes de guidage

Mise en place avec couronne d'appui au sol



Annexe C: Schéma en coupe et liste des pièces de rechange



Liste des pièces de rechange

Réf	Réf. art.	Désignation 1	Désignation 2	Quantité
10	17842	Moteur complet SANIPUMP® ZPG 71.1 S	avec bride de refoulement	1
10	17840	Moteur complet SANIPUMP® ZPG 71.1 T	avec bride de refoulement	1
10	17370	Moteur complet SANIPUMP® ZPG 71.2 T et ZPG 71.3 T		1
11	17854	Clavette A6x6x10	Forme A, DIN6885	1
20	17356	GLRD LD1/25-G38	BVPGG	1
30	17377	GLRD MG1/25-G6	Q1Q1PGG	1
40	11679	Circlip A25x1,2	DIN471	1
50	17684	Carter de pompe ZPG 71		1
60	11138	Vis à six-pans creux M8x30 A2	DIN 912	4
70	11645	Disque à cliquet S8x13x0,8A2		4
80	17783	Roue ZPG 71.1	usinée conique 21,8°	1
80	17782	Roue ZPG 71.2		1
80	17780	Roue ZPG 71.3		1
90	17350	Couvercle ZPG 71		1
100	10666	Vis à six-pans creux M6x12 A2	DIN 912	4
110	19501	Vis à six-pans creux M6x18 A2	DIN 912	4
120	11822	Joint torique 160 x 3,5-NBR70		1
160	17375	Rondelle d'ajustage 20x30x0,1 1.4301		1
170	17376	Rondelle d'ajustage 20x30x0,5 1.4301		1
180	17352	Fixation de lame ZPG 71		1
190	16381	Vis à six-pans creux M8x25 A2		1
200	11672	Bague d'étanchéité 8x14x1 Cu		1
210	11663	Vis à oeillet M8 A2	DIN 580	1
220	10700	Vis à six-pans creux M6x8 A2	DIN 912	2
230	11639	Bouchon fileté G3/8	DIN910	2
240	11646	Bague d'étanchéité 17x22x1,5 Cu		2
250	11690	Wisura Huile blanche technique NFW	Huile blanche Wisura	1
	17468	Boîtier de commande ZPG 71.1 S 230V		1

1. SICUREZZA	p.39
1.1 Identificazione delle avvertenze contenute nelle istruzioni per l'uso	p.40
1.2 Qualificazione e formazione del personale	p.40
1.3 Pericoli in caso di inosservanza delle avvertenze di sicurezza	p.41
1.4 Lavorare in sicurezza	p.40
1.5 Avvertenze di sicurezza per il gestore/operatore	p.40
1.6 Avvertenze di sicurezza per lavori di manutenzione, ispezione e montaggio	p.41
1.7 Trasformazione non autorizzata e produzione di pezzi di ricambio.	p.41
1.8 Modalità di funzionamento vietate	p.41
2. INFORMAZIONI GENERALI	p.41
2.1 Pertinenza	p.41
2.2 Richieste e ordini	p.42
2.3 Dati tecnici	p.42
2.4 Campo di applicazione	p.42
2.5 Accessori	p.42
3. TRASPORTO E STOCCAGGIO INTERMEDIO	p.42
4. DESCRIZIONE	p.43
4.1 Motori	p.43
4.2 Pompe	p.43
4.3 Dispositivo di commutazione	p.43
5. INSTALLAZIONE	p.43
5.1 Impianto elettrico	p.43
5.2 Impianto idraulico	p.45
5.3 Regolazione del livello.....	p.46
6. MESSA IN SERVIZIO	p 56
7. MANUTENZIONE ORDINARIA/PERIODICA	p.46
8. GUASTI, CAUSE E RISOLUZIONE	p.46
9. GARANZIA	p.47
10. MODIFICHE TECNICHE	p.47
Allegato A : Linea caratteristica	p.48
Allegato B : Dimensioni della pompa.....	p.48
Allegato C : Disegno in sezione e lista ricambi	p.49

1. SICUREZZA

ATTENZIONE

Questo apparecchio può essere utilizzato da bambini a partire dagli 8 anni e dalle persone con capacità fisiche, sensoriali o mentali ridotte, o prive di esperienza e conoscenze a condizione che siano correttamente sorvegliate o che abbiano ricevuto istruzioni sull'uso sicuro del dispositivo e che ne conoscano i pericoli. I bambini non devono giocare con l'apparecchio. La pulizia e la manutenzione da parte dell'utente non devono essere eseguite da bambini non supervisionati.

RACCORDO ELETTRICO:

Il raccordo elettrico deve essere eseguito da un elettrotecnico qualificato. Il circuito di alimentazione del dispositivo deve essere messo a terra (classe I) e protetto da un interruttore differenziale a elevata sensibilità (30 mA). I dispositivi senza prese devono essere collegati ad un interruttore principale di alimentazione che garantisca la disconnessione di tutti i poli (distanza di separazione dei contatti: almeno 3 mm). Il collegamento deve servire esclusivamente per alimentare l'apparecchio.

Se il cavo di alimentazione è danneggiato, deve essere sostituito dal fabbricante, dal servizio clienti o da persone con qualifica simile per evitare qualsiasi rischio.

Le presenti istruzioni per l'uso contengono informazioni di base che devono essere osservate durante l'installazione, il funzionamento e la manutenzione. Per questo motivo, le presenti istruzioni per l'uso devono essere lette dall'installatore e dal personale specializzato/gestore responsabile prima dell'installazione e della messa in funzione e devono essere sempre disponibili presso il luogo di installazione della macchina/impianto.

Si devono rispettare non solo le istruzioni di sicurezza generali elencate in questo punto principale, ma anche le istruzioni di sicurezza speciali inserite in altri punti principali, ad es. per uso privato.

Nota :

Per evitare l'intasamento della pompa, le seguenti sostanze non devono essere contenute nelle acque reflue:

- **Materiali solidi, fibre, catrame, sabbia, cemento, cenere, carta grezza, asciugamani di carta, salviette umidificate, articoli per l'igiene, cartone, detriti, rifiuti, rifiuti di macellazione, grassi, oli.**
- **Acque reflue contenenti sostanze nocive, ad es. acque reflue grasse delle mense. Il grasso può essere immesso solo attraverso un separatore di grassi.**

Si prega di fare riferimento alle norme nazionali in vigore.

1.1 Identificazione delle avvertenze contenute nelle istruzioni per l'uso



Pericolo

Questo termine definisce un pericolo derivante da rischi elevati che potrebbero portare alla morte o lesioni gravi, se non evitati.



Zona pericolosa

Questo simbolo indica pericoli che possono portare alla morte o a lesioni.



Tensione elettrica pericolosa

Questo simbolo caratterizza i pericoli insiti alla tensione elettrica e fornisce informazioni sulla protezione contro la sovratensione.

ATTENZIONE



Danni materiali

Questo simbolo caratterizza, insieme con la parola chiave **ATTENZIONE** dei pericoli per la macchina.

Note applicate direttamente alla macchina, ad es. freccia direzionale, caratteristiche delle connessioni del fluido, devono essere osservati e tenuti in condizioni di piena leggibilità.

1.2 Qualificazione e formazione del personale

Il personale addetto al funzionamento, alla manutenzione, all'ispezione e al montaggio deve essere adeguatamente qualificato per questi lavori. L'ambito di responsabilità, competenza e supervisione del personale devono essere regolamentati con cura dal gestore. Se il personale non dispone delle conoscenze necessarie, deve essere addestrato e istruito. Se necessario, ciò può essere fatto dal produttore/fornitore per conto del gestore della macchina. Inoltre, il gestore deve assicurarsi che il contenuto delle istruzioni per l'uso sia pienamente compreso dal personale.

1.3 Pericoli in caso di inosservanza delle avvertenze di sicurezza

La mancata osservanza delle norme di sicurezza può mettere in pericolo le persone, l'ambiente e la macchina. L'inosservanza delle istruzioni di sicurezza può comportare la perdita di qualsiasi diritto al risarcimento danni.

In particolare, la mancata osservanza può comportare, ad esempio, i seguenti pericoli:

- Guasto di funzioni importanti della macchina/impianto
- Mancato rispetto dei metodi prescritti per l'assistenza e la manutenzione
- Pericolo per le persone dovuto a effetti elettrici, meccanici e chimici
- Rischio per l'ambiente dovuto alla fuoriuscita di sostanze pericolose.

1.4 Lavorare in sicurezza

Rispettare le indicazioni di sicurezza contenute nelle presenti istruzioni per l'uso, le norme antinfortunistiche nazionali vigenti e le eventuali norme interne di lavoro, operative e di sicurezza dell'operatore.

1.5 Avvertenze di sicurezza per il gestore/operatore

- Se parti calde o fredde della macchina comportano rischi, queste parti devono essere protette dal contatto a cura del cliente.
- La protezione contro il contatto con parti in movimento (ad es. giunto) non deve essere rimossa durante il funzionamento della macchina.
- Le perdite (ad es. della guarnizione per alberi) di materiali pericolosi (ad es. esplosivi, tossici, caldi) devono essere rimosse in modo che non sussistano pericoli per le persone o per l'ambiente. Devono essere rispettate le disposizioni di legge.

- I pericoli derivanti dall'energia elettrica devono essere esclusi (per i dettagli si vedano, ad esempio, le disposizioni della VDE e delle aziende locali di approvvigionamento energetico).

1.6 Avvertenze di sicurezza per lavori di manutenzione, ispezione e montaggio

Il gestore deve assicurarsi che tutti i lavori di manutenzione, ispezione e installazione siano eseguiti da personale specializzato, autorizzato e qualificato, che si sia sufficientemente informato con uno studio approfondito delle istruzioni per l'uso.

In linea di principio, i lavori sulla macchina devono essere eseguiti solo a macchina ferma. Attenersi scrupolosamente alla procedura descritta nelle istruzioni per l'uso per l'arresto della macchina.

Le pompe o le unità di pompaggio che trasportano fluidi pericolosi per la salute devono essere decontaminate. Immediatamente dopo il completamento dei lavori, tutti i dispositivi di sicurezza e di protezione devono essere rimontati o messi in funzione.

Prima della (ri)messa in servizio è necessario rispettare i punti elencati nella sezione di messa in servizio.

1.7 Trasformazione non autorizzata e produzione di pezzi di ricambio

La macchina può essere convertita o modificata solo previa consultazione con il costruttore. I pezzi di ricambio originali e gli accessori autorizzati dal produttore servono a scopi di sicurezza. L'uso di altre parti può annullare la responsabilità per le conseguenze che ne derivano.

1.8 Modalità di funzionamento vietate

La sicurezza di funzionamento della macchina fornita è garantita solo se utilizzata in conformità alla sezione *2-Informazioni generali* delle istruzioni per l'uso. I valori limite indicati nella scheda tecnica non devono in nessun caso essere superati.

2. INFORMAZIONI GENERALI

2.1 Pertinenza

Le presenti istruzioni per l'uso valgono per le pompe sommerse per acque cariche SANIPUMP® ZPG 71.

L'inosservanza delle istruzioni per l'uso - in particolare delle istruzioni di sicurezza - così come la modifica non autorizzata dell'apparecchio o l'installazione di pezzi di ricambio non originali, invalidano automaticamente la garanzia. Il fabbricante non risponde di danni da questo derivanti!

Come ogni altro apparecchio elettrico, questo prodotto può non funzionare per mancanza di corrente o per un difetto tecnico. Se questo può causare danni, è necessario progettare un gruppo elettrogeno di emergenza, una pompa manuale a membrana, un secondo sistema (doppio sistema) e/o un sistema di allarme indipendente dalla rete a seconda dell'applicazione. Anche dopo l'acquisto siamo a vostra disposizione come produttori per fornirvi consulenza. In caso di difetti o sinistri rivolgersi al proprio rivenditore.

Prodotti della gamma :

SANIPUMP® ZPG 71.1 S	SANIPUMP® ZPG 71.2 T
SANIPUMP® ZPG 71.1 T	SANIPUMP® ZPG 71.3 T

2.2 Richieste e ordini

Le richieste e gli ordini possono essere indirizzati al vostro rivenditore specializzato.

2.3 Dati tecnici

SANIPUMP®	ZPG 71.1 S	ZPG 71.1 T	ZPG 71.2 T	ZPG 71.3 T
Potenza assorbita P1 [kW]	2,2	2,1	3,9	3,9
Potenza nominale P2 [kW]	1,6	1,7	3,2	3,2
Tensione U [V]	230	400	400	400
Frequenza f [Hz]	50			
Consumo di corrente nominale I [A]	10,5	3,7	6,5	6,5
Numero di giri n [min-1]	2800			
Max. Portata Q _{max} [m ³ /h]	43			
Max. prevalenza H _{max} [m]	19	19	26	31
Max. Temperatura del fluido t _{max} [°C]	40			
Raccordo di mandata	Flangia DN50			
Peso con cavo [kg]	38	38	38	44
Rel. rapporto d'inserzione ED	S1- funzionamento continuo (completamente allagato), S3 - 40 % (sommerso)			
Livello minimo di liquido	Bordo inferiore della carcassa del motore			

Materiali

Alloggiamento del motore	GG 20	Girante	GG 20
Albero motore	1.4021	Flangia ausiliaria del cuscinetto	ST 37-2
Corpo della pompa	GG 20	Tenute ad anello scorrevole	SiC (Carburo di silicio)
Flangia cuscinetto	GG 20	Altre guarnizioni	NBR, FPM

2.4 Campo di applicazione

Le pompe sommerse per acque reflue tipo SANIPUMP® ZPG 71 vengono utilizzate per il drenaggio di pozzi di raccolta delle acque reflue. L'uso di questa pompa non è adatto allo smaltimento di acque reflue contenenti feci (acque nere).

Le acque reflue non devono contenere sostanze che attacchino i materiali della pompa del pozzo o dei componenti del pozzo.

2.5 Accessori

Tutte le pompe della serie SANIPUMP® ZPG 71 vengono forniti con l'estremità del cavo libera. Disponibile come opzione: i dispositivi di commutazione per pompe in versione standard o speciale con vari controlli di livello, un dispositivo di accoppiamento per l'installazione della pompa.

3. TRASPORTO E STOCCAGGIO INTERMEDIO

Le pompe SANIPUMP® ZPG 71 devono essere sempre sollevate e/o trasportate utilizzando l'occhiello in dotazione sulla parte superiore o sul manico. In nessun caso la pompa deve essere sollevata dal cavo di alimentazione.

Per lo stoccaggio intermedio delle pompe è sufficiente stoccarle in un luogo fresco, asciutto, al riparo

dal gelo e al buio. La girante deve essere girata almeno una volta al mese quando la pompa viene stoccata per un periodo di tempo prolungato per evitare che le tenute meccaniche si incollino tra loro.

4. DESCRIZIONE

4.1 Motori

Le pompe SANIPUMP® ZPG 71 sono dotate di motore asincrono a corrente alternata o trifase. Un sensore di temperatura (bimetallo) è integrato in ciascuno dei tre avvolgimenti del motore, che funzionano come termoregolatori o limitatori di temperatura (contatti chiusi a riposo). Se per qualsiasi motivo il motore diventa troppo caldo, reagisce innanzitutto il termoregolatore spegnendo il motore. Il motore si riaccende automaticamente quando si raffredda.

4.2 Pompe

Il corpo pompa e la girante sono in ghisa grigia. Le pompe hanno una flangia DN 50 come uscita di pressione.

4.3 Dispositivo di commutazione

Le pompe con motore trifase 400 V vengono consegnate **senza** dispositivi di commutazione.

Le pompe con motore 230 V vengono consegnate con dispositivi di commutazione, con condensatore e protezione del motore.

5. INSTALLAZIONE



PERICOLO



Prima di eseguire qualsiasi lavoro sull'impianto, scollegare la spina rete!

5.1 Impianto elettrico

Regolamento di sicurezza :

- **Tutti gli impianti elettrici utilizzati devono essere conformi alla norma IEC 364 / VDE 0100, ovvero le prese devono essere dotate di morsetti di messa a terra.**
- **Il collegamento elettrico deve essere eseguito solo da un elettricista qualificato! Osservare le norme VDE 0100!**
- **La rete elettrica a cui è collegato l'impianto deve disporre di un interruttore differenziale separato ad alta sensibilità IA <30 prima del controller, o per evitare un guasto del controller quando scatta l'interruttore differenziale, tra il controller e la pompa deve essere installato un interruttore differenziale per pompa. Per l'installazione in bagni e docce devono essere rispettate le norme DIN VDE 0100 Parte 701.**
- **Osservare le disposizioni della norma EN 12 056-4.**
- **Nel caso di collegamento trifase in corrente, il fusibile esterno deve essere generalmente dotato di interruttori automatici ad interblocco meccanico a 3 poli con caratteristica K. In questo modo si garantisce un isolamento completo della rete e si evita il funzionamento bifase.**
- **Tutti i dispositivi elettrici come controller, dispositivo di allarme e presa di corrente devono essere installati in locali asciutti per evitare allagamenti.**
- **Attenzione! La pompa deve essere scollegata dalla rete elettrica prima di ogni montaggio e smontaggio o altri lavori sull'impianto.**
- **Un sovraccarico può causare il surriscaldamento del motore. Non toccare mai le superfici calde del motore in caso di surriscaldamento.**
- **Se si utilizza una prolunga, questa deve essere della stessa qualità del cavo di collegamento in dotazione.**

La pompa nella versione a corrente alternata deve essere azionata con il dispositivo di commutazione ausiliario in dotazione.

La pompa è collegata ad una presa di corrente con contatto di terra tramite il cavo collegato al quadro con spina con messa a terra.

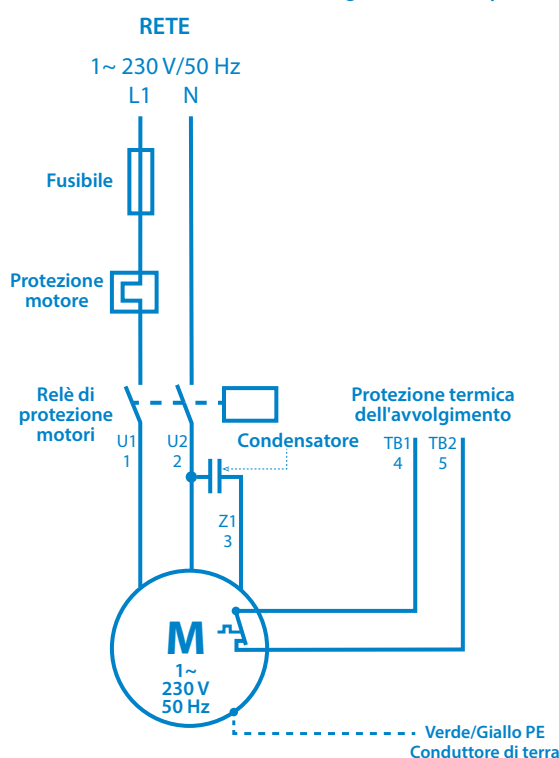
PERICOLO



- Il dispositivo di commutazione deve essere installato al di fuori dell'area a rischio di allagamento!
- Il galleggiante per la protezione contro il funzionamento a secco deve essere montato in modo tale che il livello dell'acqua non possa scendere sotto il bordo inferiore dell'alloggiamento del motore.

Non è necessaria un'ulteriore installazione elettrica. Se necessario, l'alloggiamento del motore può essere messo a terra inoltre sull'apposito morsetto esterno di messa a terra.

Se alla pompa SANIPUMP® ZPG 71.1 S è collegato un dispositivo di commutazione, il collegamento si esegue come segue :



Versione corrente trifase :

I fili del cavo di collegamento a 7 conduttori delle pompe a corrente trifase sono contrassegnati come segue :

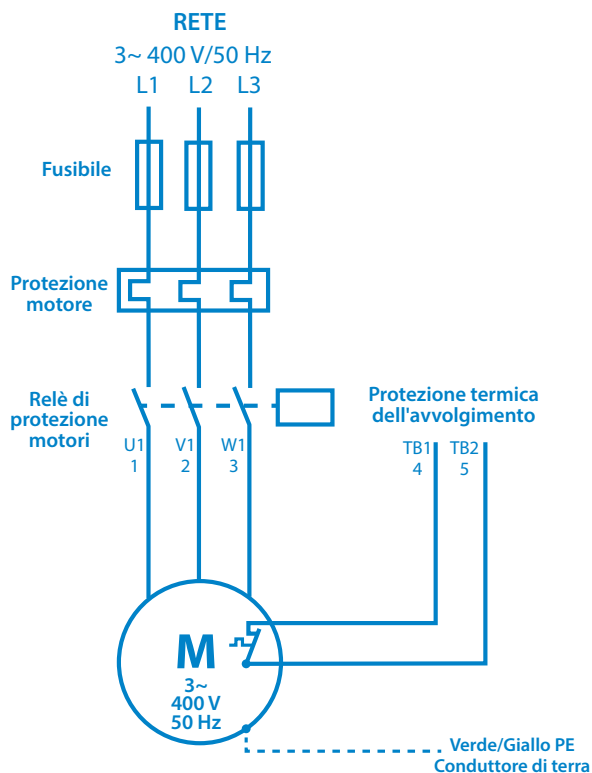
Verde/Giallo	PE	Conduttore di protezione (messa a terra)
1	U1	Tre avvolgimenti, collegamento a stella
2	V1	
3	W1	
4	TB1	Primo contatto del circuito di regolazione
5	TB2	Secondo contatto del circuito di regolazione

PERICOLO



- Il dispositivo di commutazione deve essere installato al di fuori dell'area a rischio di allagamento!
- Il galleggiante per la protezione contro il funzionamento a secco deve essere montato in modo tale che il livello dell'acqua non possa scendere sotto il bordo inferiore dell'alloggiamento del motore.

Schema di collegamento motore a corrente trifase :



Collegamento della protezione termica degli avvolgimenti :

Circuito di regolazione : TB1 e TB2 devono essere collegati a un dispositivo di commutazione in modo tale da garantire la seguente funzione: Se queste termosonde reagiscono, la pompa viene spenta fino a quando la temperatura non è nuovamente scesa. Ora la pompa si riaccende.

5.2 Impianto idraulico

ATTENZIONE



- La pompa sommersa per acque cariche deve essere protetta efficacemente contro l'aspirazione dell'aria!
- Queste pompe non devono essere montate su un'installazione a secco, in quanto la protezione antideflagrante prescrive un livello minimo di acqua fino al bordo inferiore dell'alloggiamento del motore.

Posizionamento con anello di supporto a pavimento :

- Montare l'anello di supporto a pavimento sulla flangia di aspirazione della pompa e montare la pompa. Assicurarsi che la pompa sia sufficientemente stabile.
- Collegare il lato pressione con flangia DN 50.
- Se un tubo flessibile è installato sul lato pressione, si devono evitare schiacciamenti.
- Posare il cavo di alimentazione senza pieghe, senza carico di trazione e senza sfrangimento.

Posizionamento per l'installazione del pozzo :

- Posizionare il morsetto per tubi sul bordo interno del pozzo e fissarlo lasco con due viti.
- Mettere a piombo la posizione del supporto del tubo di guida del piede di accoppiamento, allineare il piede di accoppiamento sul pavimento del pozzo e montarlo con i tasselli per carichi pesanti forniti in dotazione.
- Installare senza tensione la tubazione di mandata e i raccordi.
- Posizionare il tubo di guida sul piede di accoppiamento, segare alla lunghezza corretta, montare il morsetto per tubi e infine avvitarlo a fondo.

- Montare il pezzo di accoppiamento e la catena di scarico alla pompa, scaricare e accoppiare la pompa alla catena (infilare il tubo guida nel pezzo di accoppiamento), appendere a portata di mano la catena al morsetto per tubi.
- Posare il cavo di alimentazione senza pieghe, senza carico di trazione e senza sfregamento.

5.3 Regolazione del livello

Le pompe SANIPUMP® ZPG 71 devono essere comandate tramite un sistema di controllo del livello in modo tale da evitare assolutamente un abbassamento del livello dell'acqua al di sotto del livello minimo consentito (bordo inferiore del corpo motore).

Il livello può essere controllato, ad esempio, tramite interruttore a galleggiante, elettropneumaticamente (pressostato) o con altri metodi idonei. Il punto di accensione della pompa deve essere impostato in modo che la pompa sia completamente immersa nell'acqua.

Se il controllo di livello è realizzato tramite interruttori a galleggiante, il segnale dei galleggianti deve essere trasmesso tramite relè Ex i a sicurezza intrinseca.

6. MESSA IN SERVIZIO

Controllare nuovamente tutti i collegamenti per una corretta installazione, impostare la valvola a saracinesca in uscita e controllare il corretto funzionamento del controllo di livello.

Durante l'esecuzione della prova, controllare che le tubazioni non presentino perdite e, se necessario, richiuderle.

7. MANUTENZIONE ORDINARIA/PERIODICA



Prima di eseguire qualsiasi lavoro sull'impianto, scollegare la spina rete!

Il livello dell'olio nel supporto della guarnizione deve essere controllato come segue dopo ogni sei mesi o ogni anno di funzionamento: Posizionare la pompa su una superficie pulita in modo che la vite di riempimento dell'olio sia rivolta verso l'alto. Svitare questa vite e controllare il livello dell'olio. Se manca solo una piccola quantità di olio, il serbatoio dell'olio può essere facilmente rabboccato. Se c'è una perdita significativa di olio o se l'olio viene miscelato con l'acqua, il servizio clienti deve essere informato. Se l'olio viene miscelato con acqua, le tenute meccaniche devono essere controllate dal produttore o da una ditta specializzata autorizzata e, se necessario, sostituite.

Anche tutti gli altri lavori di manutenzione della pompa e dell'impianto elettrico devono essere eseguiti dal produttore o da un'azienda specializzata autorizzata ogni sei mesi o annualmente (o a intervalli più brevi a seconda dell'applicazione). In caso di danni alla pompa e/o all'impianto elettrico, informare immediatamente il servizio clienti.

8. GUASTI : CAUSE E RISOLUZIONE



Prima di tutte le operazioni di manutenzione e messa a punto occorre scollegare la spina elettrica.

Anomalia	Causa	Soluzione
1. Il motore non gira	<ul style="list-style-type: none"> - Tensione troppo bassa, tensione assente - Collegamento di alimentazione errato - Cavo di allacciamento difettoso - Guasto del condensatore (solo per motore a corrente alternata) - Girante o motore bloccato - Protezione motore disinserita per surriscaldamento, blocco, errore di tensione - Errore di controllo / pressostato difettoso - Fuoriuscita dal tubo o dalla connessione pneumatica - Motore difettoso 	<ul style="list-style-type: none"> - Controllare l'alimentazione - Correzione - Sostituzione/servizio clienti - Sostituzione/servizio clienti - Pulizia - Controllo/Servizio clienti - Controllo/Servizio clienti - Controllare/sostituire - Sostituzione/servizio clienti
2. Il motore ruota, ma non pompa	<ul style="list-style-type: none"> - Girante bloccata o usurata - Valvola di ritegno intasata - Valvola a saracinesca bloccata o chiusa - Tubazione di mandata bloccata - Bocchettone di aspirazione bloccato - Senso di rotazione errato - Mancanza d'acqua nel contenitore - Sfiato del serbatoio bloccato - Sfiato del corpo pompa bloccato 	<ul style="list-style-type: none"> - Pulizia/Sostituzione - Pulizia - Pulire/aprire - Pulizia - Pulizia - Correzione - Spegnimento/servizio clienti - Pulizia - Pulizia
3. Il motore ruota e si spegne	<ul style="list-style-type: none"> - Tensione errata o fluttuante - Protezione termica progettata in modo errato - Consumo di corrente troppo elevato 	<ul style="list-style-type: none"> - Correzione/Servizio clienti - Controllo/Servizio clienti - Assistenza clienti
4. Il motore non si spegne	<ul style="list-style-type: none"> - Errore di controllo - La funzione del pressostato non è corretta 	<ul style="list-style-type: none"> - Assistenza clienti - Sostituzione/Servizio clienti

9. GARANZIA

Come produttore, garantiamo questo apparecchio per 24 mesi dalla data di acquisto.

Lo scontrino fiscale vale come prova d'acquisto. Entro questo periodo di garanzia, a nostra scelta, ripareremo o sostituiremo gratuitamente tutti i difetti attribuibili a difetti di materiale o di fabbricazione mediante riparazione o sostituzione.

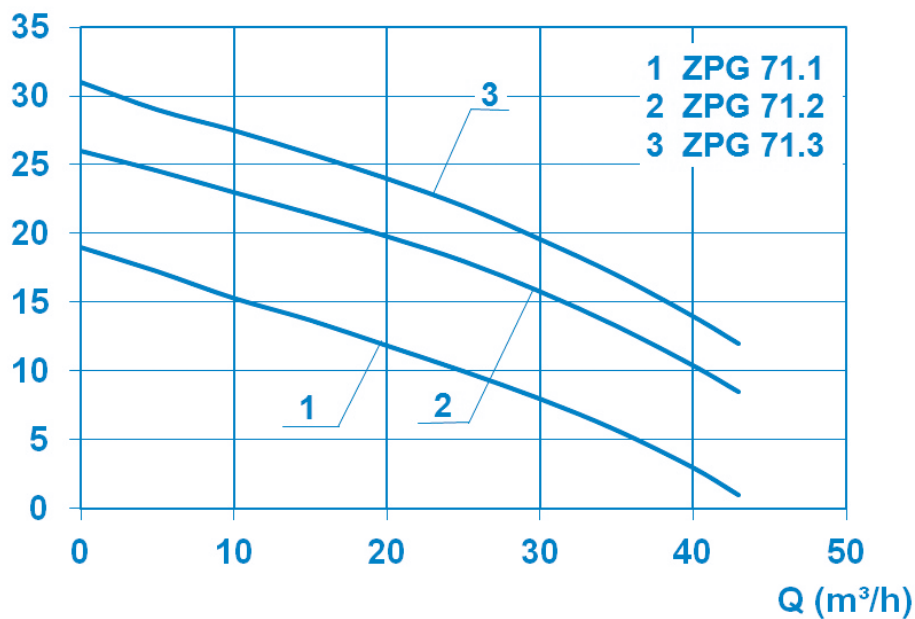
Sono esclusi dalla garanzia i danni causati da un uso improprio e dall'usura. Non ci assumiamo alcun danno consequenziale causato da un guasto dell'apparecchio.

10. MODIFICHE TECNICHE

Ci riserviamo il diritto di apportare modifiche tecniche allo scopo di ulteriore sviluppo.

Allegato A : Linea caratteristica

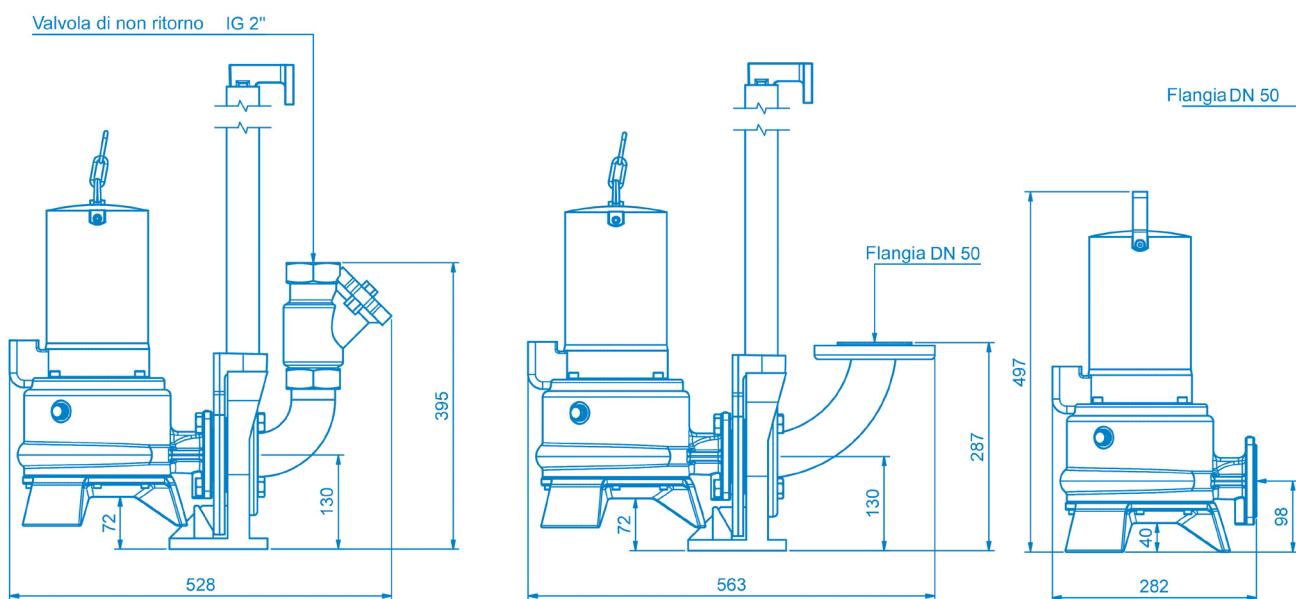
H (m)



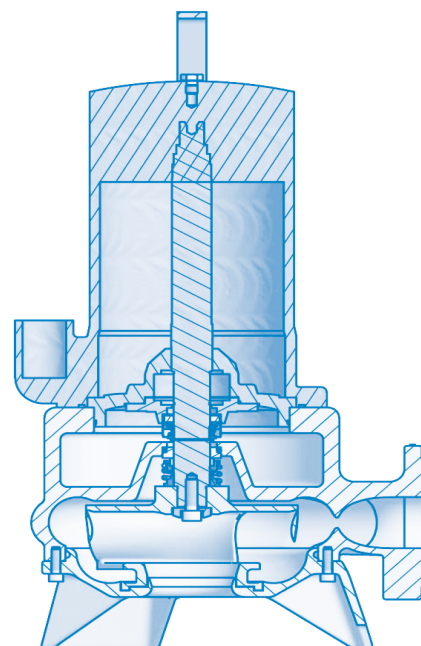
Allegato B : Dimensioni della pompa

Installazione del pozzo con tubo di guida

Posizionamento con anello di supporto a pavimento



Allegato C : Disegno in sezione e lista ricambi



Pos	N° articolo	Designazione 1	Designazione 2	Quantità
10	17842	Motore completo SANIPUMP® ZPG 71.1 S	con flangia di supporto	1
10	17840	Motore completo SANIPUMP® ZPG 71.1 T	con flangia di supporto	1
10	17370	Motore completo SANIPUMP® ZPG 71.2 T e ZPG 71.3 T		1
11	17854	Chiave parallela A6x6x10	Forme A, DIN6885	1
20	17356	GLRD LD1/25-G38	BVPGG	1
30	17377	GLRD MG1/25-G6	Q1Q1PGG	1
40	11679	Anello di sicurezza A25x1,2	DIN471	1
50	17684	Corpo pompa ZPG 71		1
60	11138	Vite con esagono incassato M8x30 A2	DIN 912	4
70	11645	Disco a cricchetto S8x13x0,8A2		4
80	17783	Girante ZPG 71.1	conico a macchina 21,8°	1
80	17782	Girante ZPG 71.2		1
80	17780	Girante ZPG 71.3		1
90	17350	Coperchio ZPG 71		1
100	10666	Vite con esagono incassato M6x12 A2	DIN 912	4
110	19501	Vite con esagono incassato M6x18 A2	DIN 912	4
120	11822	O-ring 160 x 3,5-NBR70		1
160	17375	Spessore di rasamento 20x30x0,1 1.4301		1
170	17376	Spessore di rasamento 20x30x0,5 1.4301		1
180	17352	Collegamento a vite della lama ZPG 71		1
190	16381	Vite con esagono incassato M8x25 A2		1
200	11672	Anello di tenuta 8x14x1 Cu		1
210	11663	Bullone filetato a occhiello M8 A2	DIN 580	1
220	10700	Vite con esagono incassato M6x8 A2	DIN 912	2
230	11639	Tappo a vite G3/8	DIN910	2
240	11646	Anello di tenuta 17x22x1,5 Cu		2
250	11690	Wisura olio bianco tecnico NFW	Olio bianco Wisura	1
	17468	Quadro di controllo ZPG 71.1 S 230V		1

1. VEILIGHEID	p.51
1.1 Kentekening van aanwijzingen in de gebruikshandleiding	p.51
1.2 Personeelscompetenties	p.52
1.3 Gevaren bij niet beachten van de veiligheidsinstructies.....	p.52
1.4 Veiligheidsbewust werken	p.52
1.5 Veiligheidsinstructies voor de eigenaar/bediener	p.52
1.6 Veiligheidsinstructies voor onderhouds-, inspectie- en montagewerken.....	p.52
1.7 Eigen ombouw en fabricage van wisselstukken	p.53
1.8 Ontoelaatbare werkingswijzen	p.53
2. ALGEMEEN	p.53
2.1 Aansluitingen	p.53
2.2 Aanvragen en bestellingen	p.53
2.3 Technische gegevens	p.54
2.4 Toepassing	p.54
2.5 Toebehoren	p.54
3. TRANSPORT EN TUSSENOPSLAG	p.54
4. BESCHRIJVING	p.54
4.1 Motoren.....	p.54
4.2 Pompen	p.55
4.3 Schakelapparaat.....	p.55
5. INSTALLATIE	p.55
5.1 Elektrisch.....	p.55
5.2 Hydraulica	p.57
5.3 Niveauregeling.....	p.58
6. INBEDRIJFSTELLING	p.58
7. ONDERHOUD	p.58
8. STORINGEN, OORZAKEN EN VERHELPEN	p.58
9. GARANTIE	p.59
10. TECHNISCHE WIJZIGINGEN	p.59
Bijlage A: Karakteristiek	p.60
Bijlage B: Pompafmetingen	p.60
Bijlage C: Doorsnedetekening en lijst met reserveonderdelen...	p.61

1. VEILIGHEID

PAS OP

Dit apparaat kan worden gebruikt door kinderen vanaf 8 jaar en door personen met lichamelijke, zintuiglijke of verstandelijke beperking of door mensen zonder ervaring of kennis, mits zij onder correct toezicht staan of instructies voor het veilige gebruik van het apparaat hebben gekregen en zij de risico's hebben begrepen. Kinderen mogen niet spelen met het apparaat. De schoonmaak en het onderhoud door de gebruiker mag niet worden uitgevoerd door kinderen zonder toezicht.

ELEKTRISCHE AANSLUITING :

De elektrische installatie moet door een erkend elektrotechnisch expert worden uitgevoerd.

Het stroomcircuit van het apparaat moet worden geaard (klasse I) en beschermd door een hoge gevoeligheid aardlekschakelaar (30mA). De apparaten zonder stekkers dienen aangesloten te worden op een hoofdschakelaar op het elektriciteitsnet dat de verbreking van alle polen verzekert (scheidingsafstand voor contacten minimaal 3 mm). De koppeling moet uitsluitend worden gebruikt voor de stroomvoorziening van het apparaat. Indien de voedingskabel beschadigd is, dient deze om gevaar te voorkomen, te worden vervangen door de fabrikant, de klantenservice of mensen met soortgelijke bevoegdheden.

Deze gebruikshandleiding bevat basisaanwijzingen, die bij opstelling, werking en onderhoud aan te houden zijn. Daarom is deze gebruiksaanwijzing zeker voor montage en inbedrijfstelling door de monteur alsook door het verantwoordelijke vakpersoneel/operator te lezen en moet die ten allen tijde beschikbaar zijn op de plaats van gebruik van de machine/toestel.

Niet enkel de onder dit hoofdpunt veiligheid opgelijste, algemene veiligheidsaanwijzingen moeten in acht genomen worden, maar ook de onder andere hoofdpunten ingevoegde, speciale veiligheidsaanwijzingen, zoals bv. voor pri-végebruik.

1.1 Kentekening van aanwijzingen in de gebruikshandleiding



GEVAAR

Gevaar

Deze term definieert een hoog risico op gevaar dat tot overlijden of ernstig letsel kan leiden indien dit gevaar niet wordt vermeden.



Gevarezone

Dit symbool staat voor gevaren die kunnen leiden tot de dood of ernstig letsel.



Gevaarlijke elektrische spanning

Dit symbool staat voor gevaren die gerelateerd zijn aan elektrische spanning en geeft informatie over de bescherming tegen elektrische spanning.

LET OP



Materiële schade

Dit symbool staat, in combinatie met een trefwoord, voor **LET OP**, gevaarlijk voor het apparaat.

Direct aan de machine aangebrachte aanwijzingen zoals bv. draairichtingspijl, kenteken van vloeistofaansluitingen, moeten absoluut gevolgd en in volledig leesbare toestand worden gehouden.

1.2 Personeelscompetenties en scholing

Het personeel voor bediening, onderhoud, inspectie en montage moet de overeenkomstige kwalificaties voor deze werken hebben. Verantwoordelijkheidsbereik, bevoegdheid en de controle van personeel moeten door de operator precies geregeld zijn. Is bij het personeel niet de nodige kennis voorhanden, dan moet dit geschoold en opgeleid worden. Dit kan, indien vereist, in opdracht van de bediener van de machine door de fabricant/leverancier gebeuren. Verder moet door de bediener verzekerd worden, dat de inhoud van de gebruikshandleiding door het personeel volledig verstaan wordt.

1.3 Gevaren bij niet beachten van de veiligheidsinstructies

Niet in acht nemen van de veiligheidsinstructies kan zowel tot gevaar voor personen alsook voor milieu en machine leiden. Het niet in acht nemen van veiligheidsinstructies kan leiden tot het verlies van eventuele schadeclaims.

In bepaalde gevallen kan niet in acht nemen bij voorbeeld volgende gevaren creëren:

- Uitvallen van belangrijke machine/toestel functies.
- Falen van voorgeschreven methodes voor onderhoud en reparaties.
- In gevaar brengen van personen door elektrische, mechanische en chemische inwerkingen.
- In gevaar brengen van milieu door lekkage van gevaarlijke stoffen.

1.4 Veiligheidsbewust werken

De veiligheidsinstructies die in deze gebruikshandleiding zijn opgelijst, de bestaande nationale voorschriften voor het vermijden van ongevallen alsook eventuele interne werk-, werkings- en veiligheidsvoorschriften van de operator moeten in acht genomen worden.

1.5 Veiligheidsinstructies voor de eigenaar/bediener

- Leiden warme of koude machineonderdelen tot gevaar, dan moeten deze onderdelen op de bouwwerf tegen aanraken beveiligd zijn.
- Contactbescherming voor delen die bewegen (bv. koppeling) mag bij een werkende machine niet verwijderd worden.
- Lekkages (bv. van de asdichting) van gevaarlijke transportgoederen (bv. explosief, giftig, warm) moeten zo afgevoerd worden, dat geen gevaar voor personen en milieu ontstaat. Wettelijke bepalingen moeten ingehouden worden.
- Gevaren door elektrische energie zijn uit te sluiten (details hiervoor zie bv. in de voorschriften van de VDE en van de plaatselijke energiebevoorradersbedrijven).

1.6 Veiligheidsinstructies voor onderhouds-, inspectie- en montagewerken

De eigenaar moet ervoor zorgen, dat alle onderhouds-, inspectie- en montage werken door geautoriseerd en gekwalificeerd vakpersoneel uitgevoerd worden, dat zich door uitvoerige studie van de gebruiksaanwijzing voldoende heeft geïnformeerd.

In principe zijn werken aan de machine enkel in stilstand uit te voeren. De in de gebruikshandleiding beschreven manier voor het stilzetten van de machine moet absoluut aangehouden worden.

Pompen of pomptoeestellen, die middelen vervoeren die schadelijk zijn voor de gezondheid, moeten ontsmet worden. Onmiddellijk na beëindigen van de werken moeten alle veiligheids-

en bescherminstallaties terug aangebracht resp. in functie gesteld worden.

Voor de (her)inbedrijfstelling moeten de opgelijste punten in het hoofdstuk inbedrijfstelling in acht genomen worden.

1.7 Eigen ombouw en fabricage van wisselstukken

Ombouw of veranderingen aan de machine zijn enkel na afspraak met de fabricant toegelaten. Originele wisselstukken en door de fabricant toegelaten toebehoren dragen bij tot de veiligheid. Gebruik van andere onderdelen kan de aansprakelijkheid voor de daaruit ontstaande gevolgen wegnemen.

1.8 Ontoelaatbare werkwijzen

De bedrijfsveiligheid van de geleverde machine is enkel bij doelgericht gebruik conform hoofdstuk 2 – *Algemeen* van de gebruikshandleiding gegarandeerd. De grenswaardes die aangegeven zijn in het bestek mogen in geen geval overschreden worden.

Let op :

Om verstopping van de pomp te voorkomen, mogen de volgende stoffen niet in het afvalwater aanwezig zijn :

• **Vaste stoffen, vezelmateriaal, teer, zand, cement, as, grof papier, papieren handdoeken, vochtige doekjes, hygiënische artikelen, karton, vuil, afval, slachthuisafval, vetten, oliën.**

• **Afvalwater dat schadelijke stoffen bevat (DIN 1986-100), bijvoorbeeld vet afvalwater van commerciële keukens. Afvoer mag alleen plaatsvinden via een vetafscheider volgens DIN 4040-1.**

2. ALGEMEEN

2.1 Inleiding

Deze gebruiksaanwijzing is geldig voor de vies water pompelpompen SANIPUMP® ZPG 71.

Bij niet inachtneming van de gebruikshandleiding – speciaal de veiligheidsaanwijzingen alsook bij zelf ombouwen van het toestel of bij de inbouw van niet-originele wisselstukken vervalt automatisch de garantieaanspraak. Voor hieruit resulterende schade neemt de fabricant geen aansprakelijkheid op zich!

Zoals elk andere elektrisch toestel kan ook dit product door ontbrekende netspanning of een technisch defect uitvallen. Als voor u daardoor schade kan ontstaan, moet conform de toepassing een noodstroomtoestel, een handmembraanpomp, een tweede toestel (dubbele installatie) en/of een netonafhankelijk alarmtoestel ingepland worden. Ook na de aankoop staan wij u als fabricant graag voor advies ter beschikking. Bij defecten of schadegevallen, wendt u zich aub tot uw handelaar.

Producten:

SANIPUMP® ZPG 71.1 S

SANIPUMP® ZPG 71.2 T

SANIPUMP® ZPG 71.1 T

SANIPUMP® ZPG 71.3 T

2.2 Aanvragen en bestellingen

Voor aanvragen en bestellingen richt u zich best tot uw vakhandelaar.

2.3 Technische gegevens

SANIPUMP®	ZPG 71.1 S	ZPG 71.1 T	ZPG 71.2 T	ZPG 71.3 T
Opnamevermogen P1 [kW]	2,2	2,1	3,9	3,69
Nominaal vermogen P2 [kW]	1,6	1,7	3,2	3,2
Spanning U [V]	230	400	400	400
Frequentie f [Hz]	50			
Nominale stroomopname I [A]	10,5	3,7	6,5	6,5
Toerental n [min-1]	2800			
Max. transporthoeveelheid Q_{max} [m ³ /h]	43			
Max. transporthoogte H_{max} [m]	19	19	26	31
Max. Mediumtemperatuur t_{max} [°C]	40			
Drukaansluiting	Flens DN50			
Gewicht met kabel [kg]	38	38	38	44
Rel. inschakelduur ED	S1- continu bedrijf (volledig ondergedompeld), S3 - 40 % (boven water)			
Minimum vloeistofniveau	onderkant motorbehuizing			

Materialen

Motorhuis	GG 20	Loopwiel	GG 20
Motoras	1.4021	Lagerhulpflens	ST 37-2
Pompbehuizing	GG 20	Glijringdichtingen	SiC (siliciumcarbide)
Lagerflens	GG 20	Overige dichtingen	NBR, FPM

2.4 Toepassing

De vier water pompinstallaties type SANIPUMP® ZPG 71 dienen voor afwatering van vuil waterschachten. Het gebruik van deze pomp is niet geschikt voor de afvoer van afvalwater met fecaliën (zwart water). Het afvalwater mag geen stoffen bevatten die de materialen van de pomp van de schacht of van de schachtinbouwdelen aantasten.

2.5 Toebehoren

Optie :

- Schakelkasten voor pompen zijn verkrijgbaar in standaard of speciale uitvoeringen met verschillende niveauregelingen.
- Voor het opstellen van de pomp is een koppelingsinstallatie leverbaar.

3. TRANSPORT EN TUSSENOPSLAG

De pompen SANIPUMP® ZPG 71 moet in principe aan het hiervoor voorziene oogje aan de bovenzijde of aan de handgreep opgeheven en/of vervoerd worden. In geen geval mag de pomp aan de toevoerkabel opgeheven worden.

Voor tussentijds opslaan van de pompen is bewaring op een koele, droge, vorstvrije en donkere plaats voldoende. In het geval van langdurige opslag, dient de waaier minstens 1 keer per maand gedraaid te worden om het vastkleven van de afdichtingen te vermijden.

4. BESCHRIJVING

4.1 Motoren

De afvalwateropvoerinstallaties van de serie SANIPUMP® ZPG 71 zijn met een wissel- resp. draaistroom-asynchroonmotor uitgerust. In elke van de drie motorwikkelingen is een temperatuursensor (bi-metaal)

geïntegreerd, die als temperatuurregelaar resp. temperatuurbegrenzer (opener) werken. Wordt de motor om één of andere reden te warm, dan springt eerst de temperatuurregelaar aan en schakelt de motor af. De motor mag dan bij afkoeling automatisch terug inschakelen.

4.2 Pompen

De pompbehuizing en de waaier zijn uit gietijzer. Als drukuitgang hebben de pompen een flens DN 50.

4.3 Schakeltoestel

De pompen met 400 V draaistroommotor worden **zonder** schakeltoestel uitgeleverd.

De pompen met 230 V motor worden uitgeleverd met een schakeltoestel met condensator en motor.

5. INSTALLATIE



GEVAAR



- Voor alle werken aan de machine moet de stroomtoevoer onderbroken worden.
- De elektrische aansluitingen mogen niet aan vochtigheid blootgesteld worden.

5.1 Elektrisch

Veiligheidsbepalingen :

- Alle gebruikte elektrische installaties moeten voldoen aan de norm IEC 364/VDE 0100, die moeten bv. stopcontacten aardingsklemmen hebben.
- De elektrische aansluiting mag enkel door een elektrische vakman uitgevoerd worden! De relevante VDE voorschriften 0100 in acht nemen!
- Het elektrische net, waaraan de machine wordt aangesloten, moet over een hooggevoelige aparte FI-veiligheidsschakelaar IA <30 mA voor de sturing beschikken, of om een uitval van de sturing bij het aanspringen van de FI-veiligheidsschakelaar te voorkomen, is per pomp een FI-veiligheidsschakelaar tussen sturing en pomp te installeren. Bij installatie in bad- en douche-ruimtes zijn de overeenkomstige DIN VDE 0100 deel 701-voorschriften in acht te nemen.
- Neem aub de voorschriften van EN 12 056-4 in acht.
- Bij een driefasige stroomaansluiting moet de externe zekering in de regel voorzien zijn van 3-polige mechanisch vergrendelde stroomonderbrekers met de kenmerkende K-waarde. Dit zorgt voor een volledige netscheiding en voorkomt een 2-fasige werking.
- Alle elektrische toestellen zoals sturing, alarmen en stopcontact moeten in droge ruimtes over-stroomveilig geïnstalleerd worden.
- **Aanwijzing!** Voor iedere montage en demontage van de pomp of andere werken aan het toestel is deze te scheiden van het elektrische net.
- Door overbelasting kan de motor oververhitten. Bij overhitting nooit de warme oppervlakken van de motor aanraken.
- Bij gebruik van een verlengkabel moet deze kwalitatief overeenkomen met de meegeleverde aansluitingskabel.

De pomp in wisselstroomuitvoering moet met de meegeleverde hulpschakeltoestel worden bediend. De pomp wordt via de aan het schakeltoestel aangesloten kabel met stekker aan een beveiligingscontactstopcontact aangesloten.

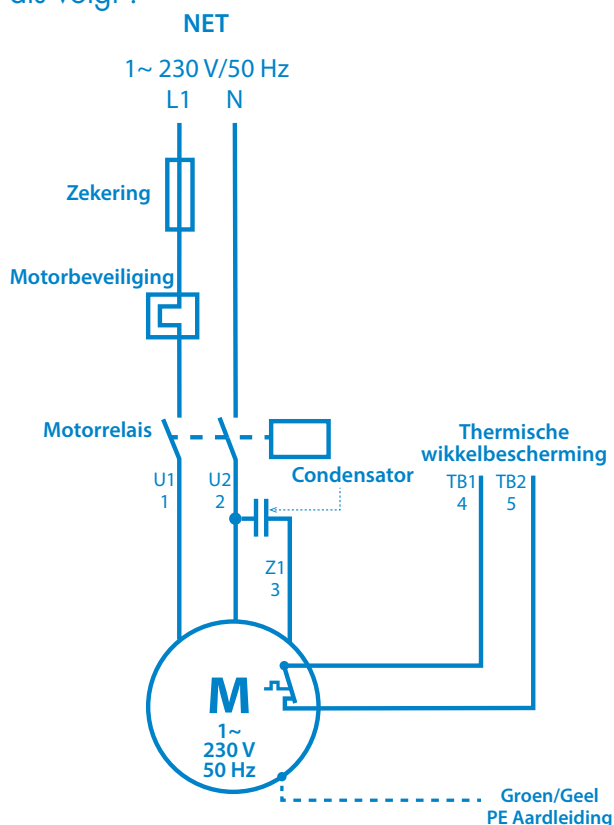
⚠ GEVAAR



- Het schakeltoestel moet buiten de overstromingsgevaarlijke zone aangebracht worden!
- De vlotter voor droogloopbescherming moet zo aangebracht worden, zodat het waterniveau niet onder de onderrand van het motorhuis kan dalen.

Een verdere elektrische installatie is niet nodig. Bij behoefte kan de motorbehuizing aan de daarvoor voorziene externe aardingsklem bijkomend geaard worden.

Wordt een schakeltoestel aan de pomp SANIPUMP® ZPG 71.1 aangesloten, dan gebeurt de aansluiting als volgt :



Driefasigeuitvoering :

De aders van de 7-aderige aansluitkabel van de pompen in driefasige-uitvoering zijn als volgt gekentekend :

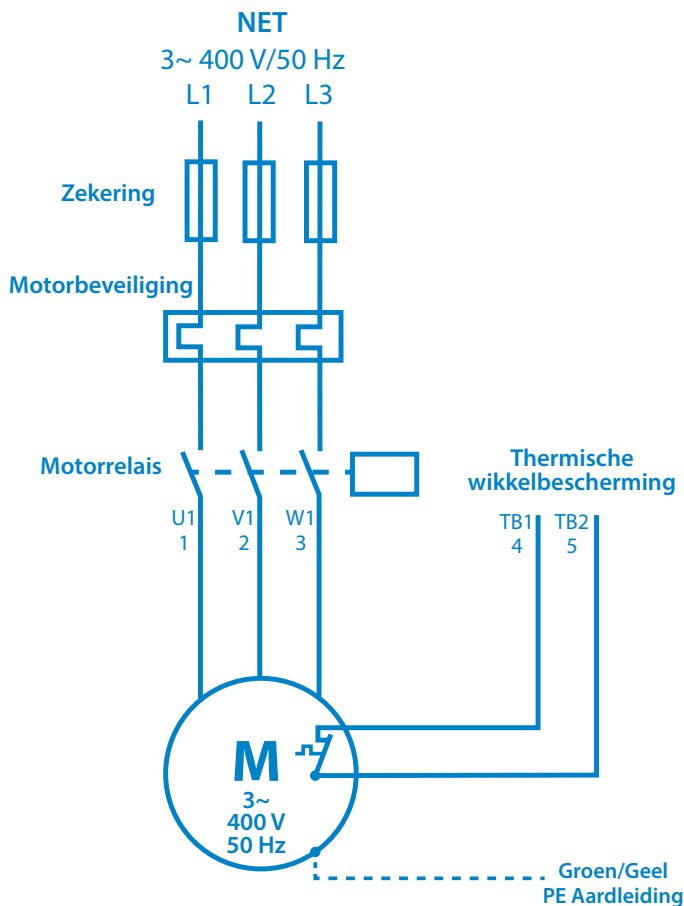
Groen/Geel	PE	Aardleiding (aarding)
1	U1	Drie wikkelingen, sterschakeling
2	V1	
3	W1	
4	TB1	Eerste contact regelkring
5	TB2	Tweede contact regelkring

⚠ GEVAAR



- Het schakeltoestel moet buiten de overstromingsgevaarlijke zone aangebracht worden!
- De vlotter voor droogloopbescherming moet zo aangebracht worden, zodat het waterniveau niet onder de onderrand van het motorhuis kan dalen.

Aansluitingsplan driefasige motor :



Aansluiting van de thermische wikkelbeveiliging :

Regelkring : TB1 en TB2 **moeten** in een schakeling zo aangesloten worden, zodat volgende functie gewaarborgd wordt: Springen deze thermovoeelers aan, dan wordt de pomp afgeschakeld, tot de temperatuur terug gezakt is. Nu schakelt de pomp terug aan.

5.2 Hydraulica

LET OP



- De vuil water-dompelpomp moet goed tegen het aanzuigen van lucht worden beschermd!
- Deze pompen mogen niet in droge opstelling gemonteerd worden, omdat de explosiebeveiliging een minimum waterstand tot onderkant motorbehuizing voorschrijft.

Opstelling met vloersteuning :

- Vloersteuning aan aanzuigflens van pomp monteren en pomp opstellen. Daarbij op voldoende standvastheid van de pomp letten.
- Drukszijde met flens DN 50 aansluiten.
- Als er een slang aan de drukleiding wordt geïnstalleerd, dan moeten knikken vermeden worden.
- Toevoerkabel knikvrij, zonder trekbelasting en zonder schuurplaatsen leggen.

Opstelling voor schachtinbouw :

- Buizenspanner aan schachtbinnenkant positioneren en met twee schroeven los vastmaken.
- Positie van de geleidingsbuisopname van de koppelvoet peilen, Koppelvoet aan de schachtbodem installeren en met de meegeleverde pluggen voor zware lasten monteren.
- Drukleiding en kranen spanningsvrij installeren.

- Bevestig de geleidebuis aan de koppelingsbasis, zaag de juiste lengte af, bevestig de buizenspanner en draai hem definitief vast.
- Koppelingsstuk en drainageketting aan pomp monteren, pomp aan de ketting (schuif de geleidingsbuis in het koppelstuk) aftappen en klik in, bevestig de ketting grijpklaar aan de buizenspanner.
- Toevoerkabel knikvrij, zonder trekbelasting en zonder schuur-plaatsen leggen.

5.3 Niveauregeling

De pompen SANIPUMP® ZPG 71 moeten zo via een niveauregeling gestuurd worden, dat een daling van het waterniveau tot onder het minimumniveau (onderkant motorbehuizing) absoluut vermeden wordt.

De niveauregeling kan bv. via vlotterschakelaars, elektropneumatisch (drukschakelaar) of via andere geschikte methodes gebeuren. Het inschakelpunt van de pomp moet zo ingesteld worden, dat de pomp volledig in het water is ondergedompeld.

Wordt de niveauregeling via vlotterschakelaar gedaan, dan moet het signaal van de vlotter via veilige Ex i – relais worden doorgegeven.

6. INBEDRIJFSTELLING

Alle aansluitingen nogmaals controleren op correcte montage, afsluitschuiver op doorlaat zetten en niveausturing op correcte functie controleren.

Bij uitvoering van de proefloop buisleidingen op dichtheid controleren en eventueel opnieuw dichten.

7. ONDERHOUD



GEVAAR



Koppel de installatie los van het elektriciteitsnet voordat u met werkzaamheden begint.

Na respectievelijk halfjaarlijks tot jaarlijkse periode moet de olievoorraad in de dichtingsdrager als volgt gecontroleerd worden: De pomp op propere ondergrond zo aan de kant leggen, dat de olielenschroef naar boven wijst. Deze schroef wordt uitgedraaid en de oliestand gecontroleerd. Ontbreekt gewoon een kleine hoeveelheid olie, dan kan de olievoorraad probleemloos aangevuld worden. Bij substantieel olieverlies of een menging van de olie met water moet de klantendienst geïnformeerd worden. Is de olie met water gemengd, zijn de afdichtingen door de fabrikant of een toegelaten vakbedrijf te controleren en eventueel te vervangen.

Ook alle andere onderhoudswerken aan de pomp en aan de elektrische installatie moeten halfjaarlijks tot jaarlijks (resp. volgens geval ook in kortere intervallen) door de fabrikant of een toegelaten vakbedrijf uitgevoerd worden. Bij schade aan de pomp en/of de elektrische installatie, informeer aub per kerende de klantendienst.

8. STORINGEN, OORZAKEN EN VERHELPEN



GEVAAR



Trek de stekker uit het stopcontact alvorens werkzaamheden aan het systeem uit te voeren.

Storing	Oorzaak	Oplossing
1. Motor draait niet	<ul style="list-style-type: none"> - Netspanning ontbreekt of verkeerd - onjuiste verbinding - defecte voedingskabel - defecte / verkeerde condensator - Waaier/snijmes geblokkeerd - geactiveerde motorbeveiliging (oververhitting, blokkering, spanningsfout of ander defect) - Stuurfout / defecte vlotter schakelaar - Motor defect 	<ul style="list-style-type: none"> - Spanningstoevoer controleren - Aansluiting corrigeren - Vervanging (klantenservice) - Vervanging (klantenservice) - Reinigen - Controleer, informeer de klantenservice - Controleer, informeer de klantenservice - Vervanging (klantenservice)
2. Motor draait, maar pompt niet	<ul style="list-style-type: none"> - Waaier verstopt of versleten - Terugslagklep verstopt - Schuifafsluiter verstopt/afgesloten - Drukleiding verstopt / slang geknikt - Aanzuigstuk verstopt - Draairichting verkeerd - Gebrek aan water in schacht 	<ul style="list-style-type: none"> - Reinigen/verwisselen - Reinigen - Reinigen/openen - Reinigen/knikken verwijderen - Reinigen - correctie - Uitschakelen/informeren bij klantenservice
3. Motor draait en schakelt uit	<ul style="list-style-type: none"> - Spanning is verkeerd of fluctueert - Thermische beveiliging verkeerd ontworpen - Stroomverbruik te hoog 	<ul style="list-style-type: none"> - Correctie/Klantenservice - Controleren/Klantenservice - Klantenservice
4. Motor schakelt niet uit	<ul style="list-style-type: none"> - Controllerfout - Vlotterschakelaar fout/defect 	<ul style="list-style-type: none"> - Klantenservice - Vervanging/Klantenservice

9. GARANTIE

Als fabrikant gaan we uit van een garantie van 24 maanden vanaf de aankoopdatum voor dit apparaat.

Als bewijs geldt uw aankoopfactuur. Binnen deze garantietermijn zullen we eventuele gebreken als gevolg van materiaal- of fabricagefouten gratis repareren of vervangen.

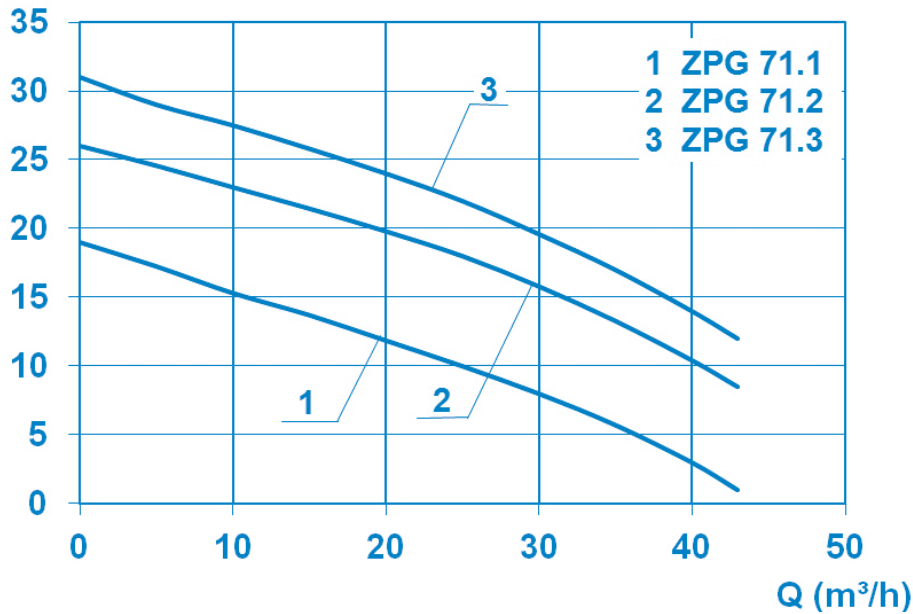
De garantie dekt geen schade veroorzaakt door onjuist gebruik en slijtage. Gevolgschade door falen van het apparaat wordt door ons niet geaccepteerd.

10. TECHNISCHE WIJZIGINGEN

We behouden ons het recht voor technische wijzigingen aan te brengen in het belang van verdere ontwikkeling.

Bijlage A : Karakteristiek

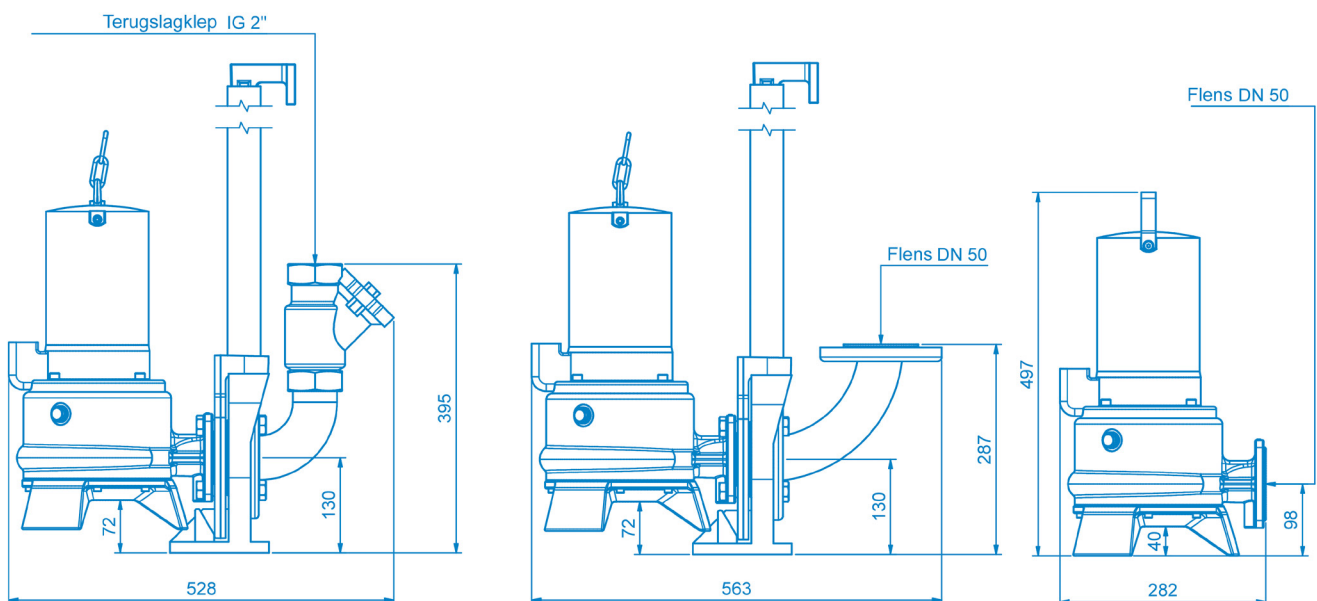
H (m)



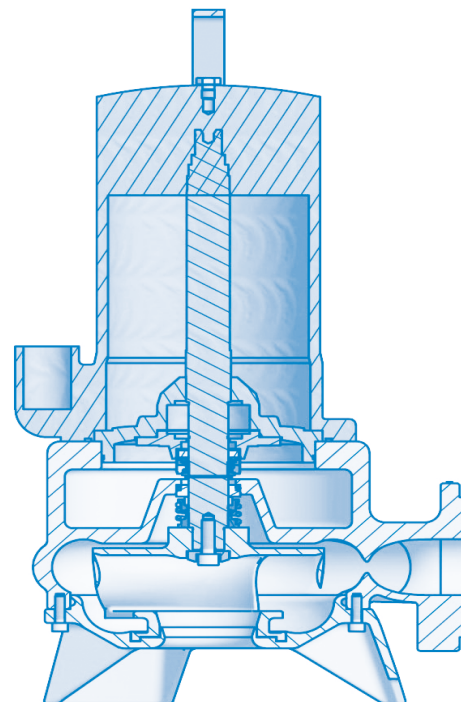
Bijlage B : Pompafmetingen

Schachtinbouw met geleidebuis

Opstelling met vloersteuning



Bijlage C : Doorsnedetekening en lijst met reserveonderdelen



Réf	Art.nr.	Aanduiding 1	Aanduiding 1	Hoeveelheid
10	17842	Motor compleet SANIPUMP® ZPG 71.1 S	met lagerflens	1
10	17840	Motor compleet SANIPUMP® ZPG 71.1 T	met lagerflens	1
10	17370	Motor compleet SANIPUMP® ZPG 71.2 T en ZPG 71.3 T		1
11	17854	Parallele sleutel A6x6x10	Vorm A, DIN6885	1
20	17356	GLRD LD1/25-G38	BVPGG	1
30	17377	GLRD MG1/25-G6	Q1Q1PGG	1
40	11679	Borgring A25x1,2	DIN471	1
50	17684	Pompbehuizing ZPG 71		1
60	11138	Binnenzeskantschroef M8x30 A2	DIN 912	4
70	11645	Ratelschijf S8x13x0,8A2		4
80	17783	Waaier ZPG 71.1	conisch bewerkt 21,8°	1
80	17782	Waaier ZPG 71.2		1
80	17780	Waaier ZPG 71.3		1
90	17350	Dekking ZPG 71		1
100	10666	Binnenzeskantschroef M6x12 A2	DIN 912	4
110	19501	Binnenzeskantschroef M6x18 A2	DIN 912	4
120	11822	O-ring 160 x 3,5-NBR70		1
160	17375	Schijfreiniger 20x30x0,1 1.4301		1
170	17376	Schijfreiniger 20x30x0,5 1.4301		1
180	17352	Messchroefverbinding ZPG 71		1
190	16381	Binnenzeskantschroef M8x25 A2		1
200	11672	Afdichtingsring 8x14x1 Cu		1
210	11663	Oogbout M8 A2	DIN 580	1
220	10700	Binnenzeskantschroef M6x8 A2	DIN 912	2
230	11639	Schroefstop G3/8	DIN910	2
240	11646	Afdichtingsring 17x22x1,5 Cu		2
250	11690	Wisura technische witte olie NFW	witte olie Wisura	1
	17468	Schakelapparatuur ZPG 71.1 S 230V		1

1. SEGURIDAD	pág.63
1.1 Identificación de las indicaciones en el manual de instrucciones	pág.63
1.2 Cualificación del personal y formación	pág.64
1.3 Riesgos en caso de incumplimiento de las indicaciones de seguridad	pág.64
1.4 Trabajar de forma segura	pág.64
1.5 Indicaciones de seguridad para el operador / operario	pág.64
1.6 Indicaciones de seguridad durante los trabajos de mantenimiento, inspección e instalación	pág.64
1.7 Transformaciones no autorizadas y fabricación de piezas de recambio	pág.65
1.8 Modos de funcionamiento no autorizados	pág.65
2. GENERALIDADES	pág. 65
2.1 Descripción	pág.65
2.2 Consultas y pedidos	pág.66
2.3 Datos técnicos	pág.66
2.4 Ámbito de aplicación	pág.66
2.5 Accesorios	pág.66
3. TRANSPORTE Y ALMACENAMIENTO TEMPORAL	pág. 66
4. DESCRIPCIÓN	pág. 67
4.1 Motores	pág.67
4.2 Bombas	pág.67
4.3 Dispositivo de conmutación	pág.67
5. INSTALACIÓN	pág. 67
5.1 Sistema eléctrico	pág.67
5.2 Sistema hidráulico.....	pág.69
5.3 Regulación de nivel	pág.70
6. PUESTA EN SERVICIO	pág. 70
7. MANTENIMIENTO	pág. 70
8. AVERÍAS: CAUSAS Y SUBSANACIÓN	pág. 70
9. GARANTÍA	pág. 71
10. MODIFICACIONES TÉCNICAS	pág. 71
Anexo A: Curvas características	pág.72
Anexo B: Dimensiones de las bombas	pág.72
Anexo C: Dibujo seccional y listado de piezas de recambio	pág.73

1. SEGURIDAD

ATENCIÓN

Este aparato puede utilizarse por niños de 8 años como mínimo y por personas con capacidades físicas, sensoriales o mentales reducidas o con falta de experiencia o conocimientos, siempre que se encuentren bajo vigilancia o si se les proporcionan las instrucciones relativas para el uso seguro del electrodoméstico y son conscientes de los riesgos a los que se exponen. Los niños no deben jugar con el aparato. Los niños sin vigilancia no deben encargarse de la limpieza ni del mantenimiento que debe realizar el usuario.

CONEXIÓN ELÉCTRICA :

La instalación eléctrica debe realizarse por un profesional cualificado en electrotécnica. El circuito de alimentación del aparato debe conectarse a tierra (clase I) y protegerse con un diferencial de alta sensibilidad (30 mA). Los aparatos sin conectores deben conectarse a un interruptor principal de la alimentación eléctrica que garantice la desconexión de todos los polos (distancia de separación de los contactos de 3 mm como mínimo). La conexión debe servir exclusivamente para la alimentación del aparato.

Si el cable de alimentación está dañado, debe reemplazarlo el fabricante, su servicio posventa o personas de similar cualificación para evitar cualquier peligro.

Este manual de instrucciones contiene información básica que se debe tener en cuenta durante el montaje, funcionamiento y mantenimiento. Por lo tanto, el instalador y el personal especializado/operador responsables deberán leer antes de la instalación y la puesta en servicio este manual de instrucciones que deberá estar siempre disponible en el lugar de instalación de la máquina/unidad.

No sólo deben tenerse en cuenta las indicaciones generales de seguridad enumeradas en este punto principal "Seguridad", sino también las indicaciones especiales de seguridad insertadas en otros puntos principales, p. ej., para uso privado.

1.1 Identificación de las indicaciones en el manual de instrucciones



Peligro

Este término define un peligro de alto riesgo que, si no se evita, puede provocar la muerte o heridas graves



Zona peligrosa

Este símbolo identifica peligros que pueden provocar la muerte o heridas.



Tensión eléctrica peligrosa

Este símbolo identifica peligros inherentes a la tensión eléctrica y da información sobre la protección contra la tensión eléctrica.

ATENCIÓN



Daños materiales

Este símbolo identifica peligro, en combinación con la palabra clave **ATENCIÓN**, para la máquina.

Las indicaciones que se encuentran en la máquina, como p. ej. flecha de sentido de rotación, marcado de las conexiones de los fluidos, deben ser tenidas en cuenta y conservadas para que sean totalmente legibles.

1.2 Cualificación del personal y formación

El personal encargado del manejo, mantenimiento, inspección e instalación debe poseer la cualificación correspondiente para llevar a cabo estos trabajos. El ámbito de responsabilidad, las competencias y la supervisión del personal deben ser reguladas con precisión por el operador. Si el personal no tuviese los conocimientos necesarios, deberá ser formado e instruido. En caso de que sea necesario, podrá ser llevado a cabo por el fabricante/proveedor en nombre del operador de la máquina. Además, el operador debe asegurarse de que el personal entienda completamente el contenido del manual de instrucciones.

1.3 Riesgos en caso de incumplimiento de las indicaciones de seguridad

El incumplimiento de las indicaciones de seguridad puede poner en peligro a las personas, al medioambiente y a la máquina. El incumplimiento de las indicaciones de seguridad puede conllevar la pérdida de cualquier indemnización por daños y perjuicios.

En concreto, la inobservancia puede provocar, por ejemplo, los siguientes peligros :

- Fallo de funciones esenciales de la máquina/unidad;
- Fallo de métodos prescritos para llevar a cabo el mantenimiento y conservación;
- Peligro a las personas como consecuencia de influencias eléctricas, mecánicas y químicas;
- Peligro para el medioambiente por fuga de sustancias peligrosas.

1.4 Trabajar de forma segura

Deben observarse las indicaciones de seguridad enumeradas en el presente manual de instrucciones, las prescripciones nacionales en materia de prevención de accidentes y todas las normas internas de trabajo, funcionamiento y de seguridad del operador.

1.5 Indicaciones de seguridad para el operador/operario

- Si los componentes calientes o fríos de la máquina pudiesen entrañar peligros, estos componentes deberán ser asegurados por el cliente contra contactos.
- La protección contra contactos de los componentes móviles (p. ej., acoplamiento) no debe ser retirada en caso de que la máquina se encuentre en funcionamiento.
- Las fugas (p. ej., de la junta del eje) de materiales bombeados peligrosos (p. ej., explosivos, tóxicos, calientes) deben eliminarse de modo que no se cree peligro para las personas y el medioambiente. Deben respetarse las disposiciones legales.
- Deben excluirse los riesgos causados por la energía eléctrica (para más detalles, consulte, p. ej., en las normas nacionales y de las empresas locales de suministro de energía).

1.6 Indicaciones de seguridad durante los trabajos de mantenimiento, inspección e instalación

El operador deberá asegurarse de que todos los trabajos de mantenimiento, de inspección y de instalación sean llevados a cabo por personal especializado, autorizado y cualificado que haya obtenido suficiente información mediante el concienzudo estudio del manual de instrucciones.

En principio, los trabajos en la máquina sólo deben realizarse con la máquina parada. Se debe respetar estrictamente el procedimiento descrito en el manual de instrucciones para parar la máquina.

Deberán descontaminarse las bombas o grupos de bombas que bombeen medios peligrosos para la salud. Inmediatamente después de terminar los trabajos se deben volver a instalar los dispositivos de seguridad y de protección o volver a ponerlos a funcionamiento.

Antes de volver a poner la máquina en servicio, se deben tener en cuenta los puntos indicados en la sección Puesta en servicio.

1.7 Transformaciones no autorizadas y fabricación de piezas de recambio

La máquina sólo podrá ser transformada o modificada previa consulta con el fabricante. Las piezas de recambio originales y accesorios autorizados por el fabricante sirven para fines de seguridad. El uso de otros componentes puede invalidar la responsabilidad por las consecuencias resultantes.

1.8 Modos de funcionamiento no autorizados

La seguridad de funcionamiento de la máquina suministrada sólo quedará garantizada si se utiliza con arreglo al uso previsto descrito en la sección 2- *Generalidades* del manual de instrucciones. Los valores límite especificados en la hoja de datos no deben superarse en ningún caso.

Aviso :

Para evitar que la bomba se obstruya, las aguas residuales no deben contener las siguientes sustancias :

- **Materiales sólidos, fibras, alquitrán, arena, cemento, ceniza, papel grueso, pañuelos de papel, toallitas húmedas, artículos de higiene, cartón, escombros, basura, despojos, grasas, aceites;**
- **Aguas residuales con sustancias nocivas (DIN 1986-100), p. ej., aguas residuales que contengan grasa de cocinas industriales. El vertido sólo se debe realizar a través de un separador de grasa con arreglo a la norma DIN 4040-1.**

2. GENERALIDADES

2.1 Descripción

Este manual de instrucciones es válido para las bombas sumergibles para aguas residuales SANIPUMP® ZPG 71.

El incumplimiento del manual de instrucciones, especialmente las indicaciones de seguridad, y la transformación no autorizada del dispositivo o la instalación de piezas de recambio no originales anularán automáticamente la garantía. ¡El fabricante no se hará responsable de los daños que se deriven de ello!

Como cualquier aparato eléctrico, este producto puede fallar debido a la ausencia de tensión de red o como consecuencia de un fallo técnico. En caso de que como consecuencia de ello pudieran producirse daños, se deberán tener previstos, con arreglo a la aplicación, un generador de emergencia, una bomba de membrana manual, una segunda unidad (unidad doble) y/o un sistema de alarma no conectado a la red. Incluso después de la compra, como fabricante estaremos encantados de asesorarle. En caso de defectos o daños, póngase en contacto con su distribuidor.

Productos :

SANIPUMP® ZPG 71.1 S	SANIPUMP® ZPG 71.2 T
SANIPUMP® ZPG 71.1 T	SANIPUMP® ZPG 71.3 T

2.2 Consultas y pedidos

Para realizar consultas y pedidos póngase en contacto con su distribuidor.

2.3 Datos técnicos

SANIPUMP®	ZPG 71.1 S	ZPG 71.1 T	ZPG 71.2 T	ZPG 71.3 T
Potencia absorbida P1 [kW]	2,2	2,1	3,9	3,69
Potencia nominal P2 [kW]	1,6	1,7	3,2	3,2
Tensión U [V]	230	400	400	400
Frecuencia f [Hz]	50			
Consumo de corriente nominal I [A]	10,5	3,7	6,5	6,5
Velocidad n [min-1]	2800			
Cantidad máx. de bombeo Q_{max} [m ³ /h]	43			
Altura máx. de bombeo H_{max} [m]	19	19	26	31
Temperatura máx. del fluido t_{max} [°C]	40			
Conexión de presión	Brida DN50			
Peso con cable [kg]	38	38	38	44
Duración relativa de conexión	S1-Funcionamiento continuo (completamente inundado), S3-40% (emergido)			
Nivel mínimo de líquido	Borde inferior de la carcasa del motor			

Materiales

Carcasa del motor	GG 20	Impulsor	GG 20
Eje del motor	1.4021	Brida auxiliar del cojinete	ST 37-2
Carcasa de la bomba	GG 20	Cierres mecánicos	SiC (Carburo de silicio)
Brida del cojinete	GG 20	Otras juntas	NBR, FPM

2.4 Ámbito de aplicación

Las bombas sumergibles para aguas residuales modelo SANIPUMP® ZPG 71 sirven para drenar arquetas de aguas sucias.

El uso de esta bomba no es adecuado para la eliminación de aguas residuales que contengan heces (aguas negras). Las aguas residuales no deben contener sustancias que ataquen los materiales de la bomba de la arqueta o los componentes de la arqueta.

2.5 Accesorios

Todas las bombas de la serie SANIPUMP® ZPG 71 se suministran con un extremo de cable suelto. Disponible como opción :

- dispositivos de conmutación tanto en la variante estándar como en la variante especial con diferentes controles de nivel.
- un dispositivo de acoplamiento (uso estacionario) para montar la bomba.

3. TRANSPORTE Y ALMACENAMIENTO TEMPORAL

Las bombas SANIPUMP® ZPG 71 deben elevarse y/o transportarse siempre del ojal que se encuentra en la parte superior o en el mango. En ningún caso, la bomba debe elevarse del cable de alimentación.

Para almacenar las bombas temporalmente, es suficiente con almacenarlas en un recinto fresco, seco, libre

de heladas y oscuro. El impulsor debe girarse al menos 1 vez al mes si la bomba va a almacenarse durante un período de tiempo prolongado para impedir que los cierres mecánicos se peguen entre sí.

4. DESCRIPCIÓN

4.1 Motores

Las bombas SANIPUMP® ZPG 71 están equipadas con motores asíncronos de corriente alterna o trifásicos. En cada uno de los tres devanados del motor hay 1 sensor de temperatura (bimetálicos) que funciona como regulador de temperatura o limitador de temperatura (contacto normalmente cerrado). Si por cualquier razón el motor se calienta demasiado, el regulador de temperatura se activará primero y desconectará el motor. El motor puede volver a conectarse automáticamente cuando se enfríe.

4.2 Bombas

La carcasa de la bomba y el impulsor son de fundición gris.
Las bombas cuentan con una brida DN 50 como salida de presión.

4.3 Dispositivo de conmutación

Las bombas con motor trifásico de 400 V se suministran **sin** dispositivo de conmutación.
Las bombas con motor 230 V se suministran con un dispositivo de conmutación, con condensador y protección del motor.

5. INSTALACIÓN

PELIGRO



- Antes de realizar cualquier trabajo en la unidad, desconecte el suministro de corriente.
- Las conexiones eléctricas no deben estar expuestas a la humedad.

5.1 Sistema eléctrico

Normativas de seguridad :

- Todos los sistemas eléctricos utilizados deben cumplir la norma IEC 364 / VDE 0100, es decir, los enchufes deben tener terminales de puesta a tierra.
- ¡La conexión eléctrica sólo debe ser llevada a cabo por un electricista especializado!
¡Tenga en cuenta las normas VDE 0100 pertinentes!
- La red eléctrica a la que se conecta la unidad debe contar con un interruptor de corriente residual separado de alta sensibilidad IA <30 mA delante del sistema de mando, o para evitar un fallo de la unidad de control cuando se active el interruptor de corriente residual, se debe instalar un interruptor de corriente residual en cada bomba entre la unidad de control y la bomba. Al instalarse en baños o duchas, se deben tener en cuenta las normas correspondientes DIN VDE 0100 Parte 701.
- Tenga en cuenta las prescripciones de la norma EN 12 056-4.
- En caso de corrientes trifásicas, el fusible externo debe bloquearse mecánicamente con interruptores automáticos tripolares con la característica K. Esto garantiza el aislamiento completo de la red y evita el funcionamiento en dos fases.
- Todos los dispositivos eléctricos, como unidad de control, transmisor de alarma y tomas de corriente deben instalarse en estancias secas protegidas contra inundaciones.
- Atención: Antes de montar y desmontar la bomba o de llevar a cabo otros trabajos en la unidad, se debe desconectar de la red eléctrica.
- La sobrecarga puede sobrecalentar el motor. En caso de sobrecalentamiento, no toque nunca las superficies calientes del motor.

• **Si se utiliza un cable alargador, éste debe ser de la misma calidad que el cable de conexión suministrado.**

La bomba en la **variante de corriente alterna** debe ponerse en funcionamiento con el dispositivo de conmutación auxiliar suministrado.

La bomba se conecta a una toma de corriente con toma de tierra por medio del cable conectado al dispositivo de conmutación con conector Schuko.

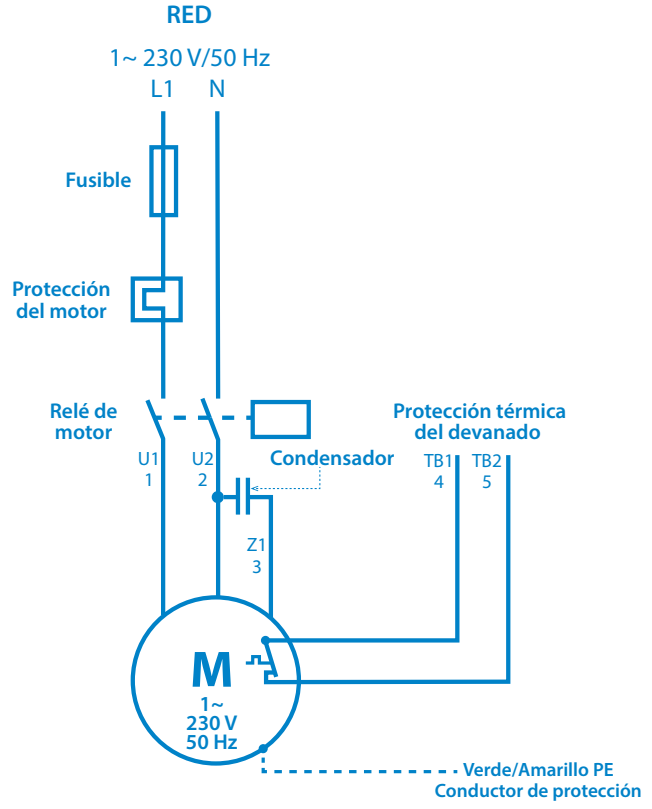
PELIGRO



- ¡El dispositivo de conmutación debe colocarse fuera del área con riesgo de inundación!
- El flotador para la protección contra marcha en seco se debe colocar de modo que no sea posible que el nivel de agua descienda por debajo del borde inferior de la carcasa del motor.

No es necesario realizar otra instalación eléctrica. En caso necesario, la carcasa del motor también puede conectarse a tierra en el terminal externo de puesta a tierra previsto a tal efecto.

Si se conecta un dispositivo de conmutación a la bomba SANIPUMP® ZPG 71.1 S la conexión se realiza de la siguiente manera :



Variante trifásica :

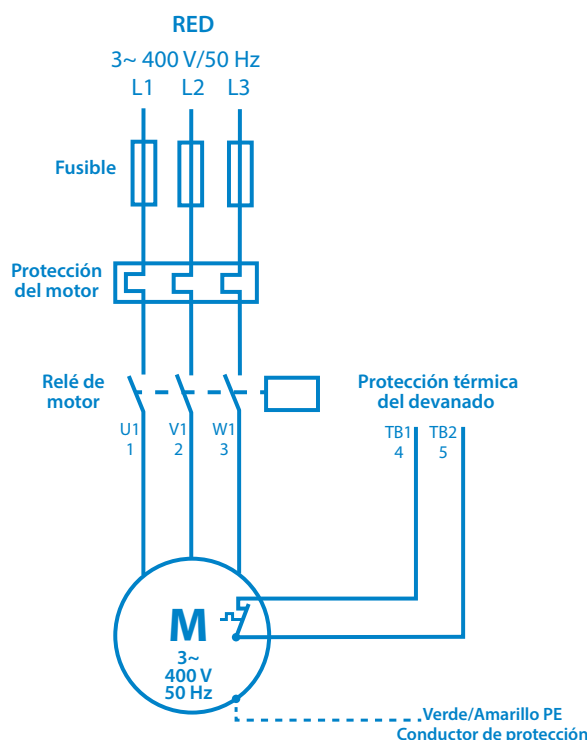
Los conductores del cable de conexión de 7 hilos de las bombas en la variante trifásica están marcados de la siguiente manera :

Verde/Amarillo	PE	Conductor de protección (puesta a tierra)
1	U1	Tres devanados, conexión en estrella
2	V1	
3	W1	
4	TB1	Primer contacto del circuito regulador
5	TB2	Segundo contacto del circuito regulador

PELIGRO

- ¡El dispositivo de conmutación debe colocarse fuera del área con riesgo de inundación!
- El flotador para la protección contra marcha en seco se debe colocar de modo que no sea posible que el nivel de agua descienda por debajo del borde inferior de la carcasa del motor.

Esquema de conexión del motor trifásico :



Conexión de la protección térmica del devanado :

Circuito regulador : TB1 y TB2 **deben** conectarse en un dispositivo de conmutación de modo que se garantice la siguiente función: Si estos sensores térmicos se activan, la bomba se desconectará hasta que la temperatura vuelva a bajar. A continuación, la bomba se volverá a conectar.

5.2 Sistema hidráulico

ATENCIÓN

- ¡La bomba sumergible debe protegerse eficazmente contra la succión de aire!
- Estas bombas no deben montarse en una instalación seca ya que la protección contra explosiones exige un nivel mínimo de agua hasta el borde inferior de la carcasa del motor.

Montaje con conjunto de soporte :

- Monte el conjunto de soporte a la brida de aspiración de la bomba e instale la bomba. Al hacerlo, asegúrese de que la bomba tenga suficiente estabilidad.
- Conecte el lado de presión con la brida DN 50.
- Si en el lado de presión se tiende una manguera, se deben evitar que se formen dobleces.
- Tienda el cable de alimentación sin dobleces, sin tensiones de tracción y sin abrasiones.

Instalación para montaje en arqueta :

- Coloque el soporte de tubos en el borde interior de la arqueta y fíjelo con dos tornillos sin apretarlos.
- Sondee la posición del alojamiento del tubo guía de la base del acoplamiento, alinee la base del acoplamiento en el fondo de la arqueta y móntelo con los tacos para carga pesada suministrados.
- Instale la línea de presión y las válvulas sin tensión.
- Coloque el tubo guía en la base del acoplamiento, córtelo a la longitud correcta, coloque el soporte de

tubos y, finalmente, atorníllelo.

- Monte la pieza del acoplamiento y la cadena de drenaje en la bomba, drene la bomba y acóplela a la cadena (enrosque el tubo guía en la pieza del acoplamiento), fije la cadena al soporte de tubos de modo que esté siempre a mano.

- Tienda el cable de alimentación sin dobleces, sin tensiones de tracción y sin abrasiones.

5.3 Regulación de nivel

Las bombas SANIPUMP® ZPG 71 deben controlarse por medio de una regulación de nivel de modo que se evite una caída del nivel de agua por debajo del nivel mínimo permitido (borde inferior de la carcasa del motor).

El nivel puede regularse, p. ej., por medio de un interruptor de flotador, electroneumáticamente (interruptor de presión) u otros métodos adecuados. El punto de conexión de la bomba se debe ajustar de modo que la bomba esté completamente sumergida en el agua.

Si el nivel se regula por medio de interruptores de flotador, la señal de los flotadores debe transmitirse por medio de un relé Ex-i de seguridad intrínseca.

6. PUESTA EN SERVICIO

Vuelva a comprobar si todas las conexiones están correctamente instaladas, ajuste la compuerta de cierre en posición de paso y compruebe que el control de nivel funciona correctamente.

Al realizar la marcha de prueba, compruebe si las tuberías presentan fugas y, en caso necesario, vuelva a sellarlas.

7. MANTENIMIENTO

 **PELIGRO**



¡Antes de realizar cualquier trabajo se debe desconectar la unidad de la red!

Transcurrido un período de funcionamiento de seis meses a un año, se debe controlar el nivel de aceite de los portajuntas de la siguiente manera: Coloque la bomba sobre una superficie limpia de modo que el tornillo de llenado de aceite apunte hacia arriba. Desenrosque este tornillo para comprobar el nivel de aceite. Si sólo falta una pequeña cantidad de aceite, el depósito de aceite se puede rellenar sin problemas. Si hay una pérdida considerable de aceite o si el aceite se mezcla con agua, se debe informar al servicio postventa. Si el aceite se ha mezclado con agua, el fabricante o una empresa autorizada deberán comprobar los cierres mecánicos y sustituirlos, en caso necesario.

El resto de los trabajos de mantenimiento en la bomba o en el sistema eléctrico deberán ser llevados a cabo también cada seis meses o una vez al año (o a intervalos más cortos en función de la aplicación) por el fabricante o una empresa autorizada. En caso de daños en la bomba y/o en el sistema eléctrico, informe inmediatamente al servicio postventa.

8. AVERÍAS : CAUSAS Y SUBSANACIÓN

 **PELIGRO**



¡Antes de realizar cualquier trabajo en la unidad, se debe desconectar el enchufe de red!

Avería	Causa	Subsanación
1. El motor no gira	<ul style="list-style-type: none"> - No hay tensión de red o es errónea - Conexión defectuosa - Cable de corriente dañado - Condensador dañado/erróneo - Impulsor/cuchilla de corte bloqueados - Guardamotor activado (sobrecalentamiento, bloqueo, fallo de tensión u otro daño) - Error en el control/interruptor de flotador dañado - motor defectuoso 	<ul style="list-style-type: none"> - Compruebe la fuente de alimentación - Corrija la conexión - Sustitución (servicio postventa) - Sustitución (servicio postventa) - Limpieza - Comprobación, informe al servicio postventa - Comprobación, informe al servicio postventa - Sustitución (servicio postventa)
2. El motor gira pero no bombea	<ul style="list-style-type: none"> - Impulsor bloqueado o desgastado - Válvula de retención bloqueada - Corredera de cierre bloqueada/desgastada - Línea de presión bloqueada/manguera doblada - Boquilla de succión bloqueada - Sentido de rotación incorrecto - Falta agua en la arqueta 	<ul style="list-style-type: none"> - Limpieza/sustitución - Limpieza - Limpieza/apertura - Limpieza/elimine las dobleces - Limpieza - Corrección - Desconexión/informe al servicio postventa
3. El motor se desconecta durante el arranque	<ul style="list-style-type: none"> - Tensión incorrecta o fluctuante - Protección térmica diseñada incorrectamente - Consumo de corriente demasiado elevado 	<ul style="list-style-type: none"> - Corrección/servicio postventa - Comprobación/servicio postventa - Servicio postventa
4. El motor no se desconecta	<ul style="list-style-type: none"> - Error de la unidad de control - Interruptor de flotador erróneo/dañado 	<ul style="list-style-type: none"> - Servicio postventa - Sustitución/servicio postventa

9. GARANTÍA

Como fabricante ofrecemos para este dispositivo una garantía de 24 meses a partir de la fecha de compra.

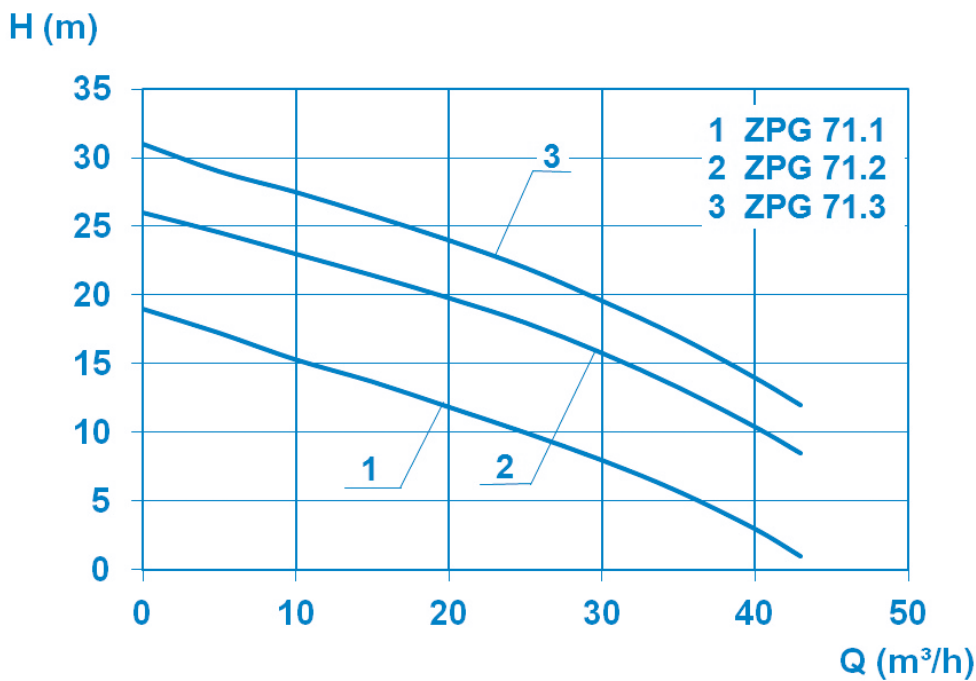
Como justificante servirá la factura de compra. Dentro de este período de garantía reemplazaremos o sustituiremos, a nuestra discreción, todos los defectos atribuibles a defectos de material o de fabricación.

Quedan excluidos de la garantía los defectos atribuibles a un uso inadecuado y a desgaste. No asumiremos ningún daño consecuente causado por el fallo del dispositivo.

10. MODIFICACIONES TÉCNICAS

Nos reservamos el derecho de realizar modificaciones técnicas para continuar desarrollando nuestros productos.

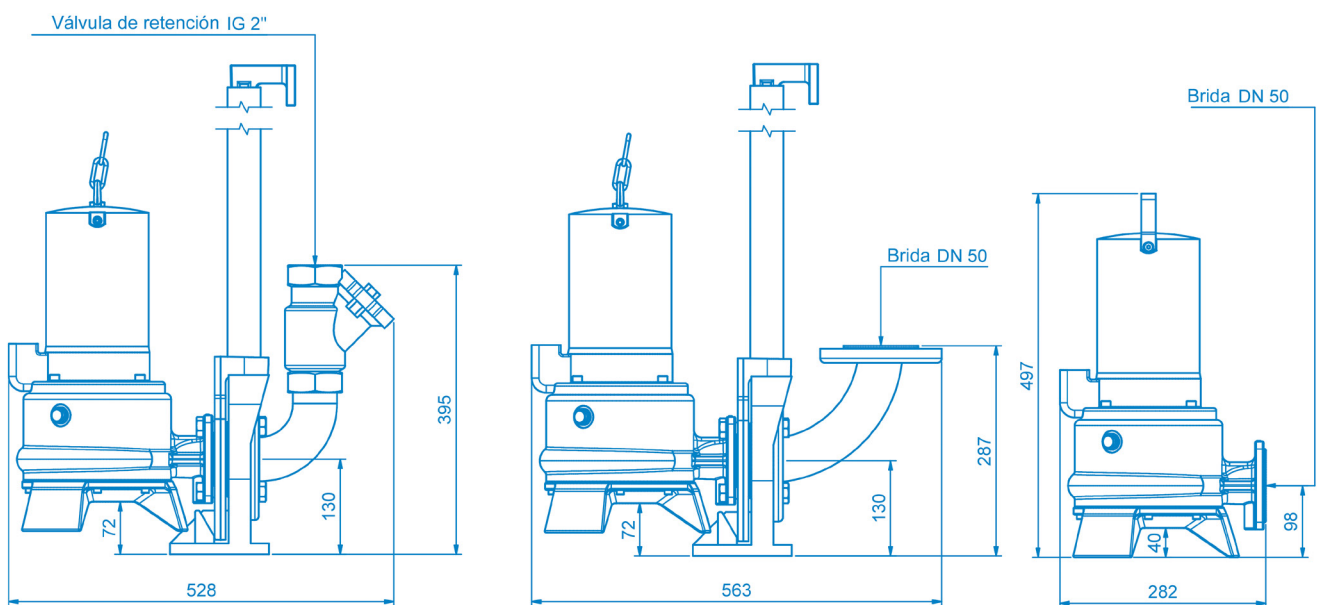
Anexo A : Curvas características



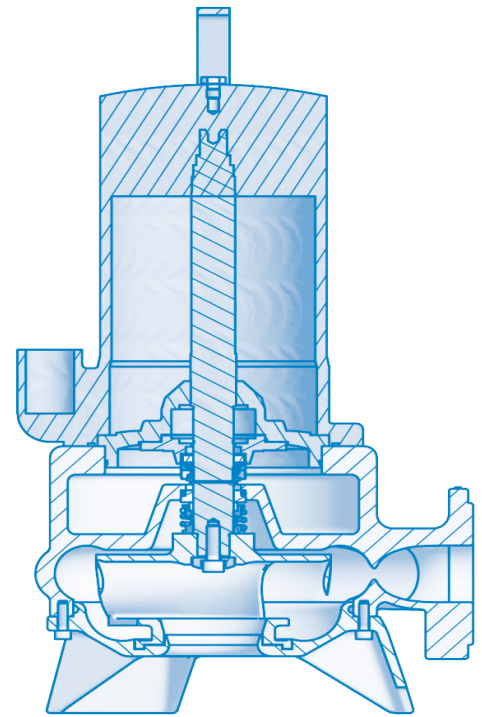
Anexo B : Dimensiones de las bombas

Montaje en arqueta con tubo guía

Montaje con conjunto de soporte



Anexo C : Dibujo seccional y listado de piezas de recambio de la bomba



Pos.	Nº art.	Denominación 1	Denominación 2	Cantidad
10	17842	Motor completo SANIPUMP® ZPG 71.1 S	con brida de cojinete	1
10	17840	Motor completo SANIPUMP® ZPG 71.1 T	con brida de cojinete	1
10	17370	Motor completo SANIPUMP® ZPG 71.2 T et ZPG 71.3 T		1
11	17854	Chaveta de ajuste A6x6x10	Forma A, DIN6885	1
20	17356	GLRD LD1/25-G38	BVPGG	1
30	17377	GLRD MG1/25-G6	Q1Q1PGG	1
40	11679	Anillo de seguridad A25x1,2	DIN471	1
50	17684	Carcasa de la bomba ZPG 71		1
60	11138	Tornillo Allen M8x30 A2	DIN 912	4
70	11645	Disco de trinquete S8x13x0,8A2		4
80	17783	Impulsor ZPG 71.1	mecanizado cónico 21,8°	1
80	17782	Impulsor ZPG 71.2		1
80	17780	Impulsor ZPG 71.3		1
90	17350	Tapa ZPG 71		1
100	10666	Tornillo Allen M6x12 A2	DIN 912	4
110	19501	Tornillo Allen M6x18 A2	DIN 912	4
120	11822	Junta tórica 160 x 3,5-NBR70		1
160	17375	Arandela de calce 20x30x0,1 1.4301		1
170	17376	Arandela de calce 20x30x0,5 1.4301		1
180	17352	Eje de cuchilla ZPG 71		1
190	16381	Tornillo Allen M8x25 A2		1
200	11672	Anillo obturador 8x14x1 Cu		1
210	11663	Tornillo de ojo M8 A2	DIN 580	1
220	10700	Tornillo Allen M6x8 A2	DIN 912	2
230	11639	Tapón roscado G3/8	DIN910	2
240	11646	Anillo obturador 17x22x1,5 Cu		2
250	11690	Wisura Aceite blanco técnico NFW	Aceite blanco Wisura	1
	17468	Dispositivo de conmutación ZPG 71.1 S 230V		1

1. SEGURANÇA	p.75
1.1 Marcação de avisos no manual de instruções	p.75
1.2 Qualificação e formação do pessoal	p.76
1.3 Perigos em caso de inobservância das instruções de segurança	p.76
1.4 Trabalhar de forma segura.....	p.76
1.5 Instruções de segurança para a operadora/o utilizador ...	p.76
1.6 Instruções de segurança para os trabalhos de manutenção, inspeção e montagem.....	p.76
1.7 Modificações não autorizadas e produção de peças sobressalentes	p.77
1.8 Modos de funcionamento não autorizados	p.77
2. INFORMAÇÕES GERAIS	p.77
2.1 Pertença	p.77
2.2 Pedidos e encomendas	p.78
2.3 Dados técnicos	p.78
2.4 Campo de aplicação	p.78
2.5 Acessórios	p.78
3. TRANSPORTE E ARMAZENAMENTO INTERMEDIÁRIO ...	p.78
4. DESCRIÇÃO	p.79
4.1 Motores	p.79
4.2 Bombas	p.79
4.3 Aparelho de comutação	p.79
5. INSTALAÇÃO	p.79
5.1 Sistema elétrico.....	p.79
5.2 Sistema hidráulico.....	p.81
5.3 Regulação do nível	p.82
6. COLOCAÇÃO EM FUNCIONAMENTO	p.82
7. MANUTENÇÃO/CONSERVAÇÃO	p.82
8. FALHAS, CAUSAS E RESOLUÇÃO	p.82
9. GARANTIA	p.83
10. ALTERAÇÕES TÉCNICAS	p.83
Anexo A : Características	p.84
Anexo B : Dimensões da bomba.....	p.84
Anexo C : Desenho seccional e lista de peças sobressalentes...	p.85

1. SEGURANÇA

ATENÇÃO

Este aparelho pode ser utilizado por crianças com, pelo menos, 8 anos e por pessoas com capacidades físicas, sensoriais ou mentais reduzidas ou com falta de experiência ou de conhecimentos, desde que sejam corretamente vigiadas ou recebam instruções sobre a utilização do aparelho com total segurança e caso tenham compreendido os riscos associados. As crianças não devem brincar com o aparelho. A limpeza e manutenção pelo utilizador não devem ser realizadas por crianças sem supervisão.

LIGAÇÃO ELÉTRICA :

A instalação elétrica deve ser realizada por um profissional qualificado em eletrotécnica.

O circuito de alimentação do aparelho deve ser ligado à terra (classe I) e protegido por um disjuntor diferencial de alta sensibilidade (30 mA). Os aparelhos sem fichas devem ser ligados a um interruptor principal na alimentação elétrica de modo a garantir que todos os polos são desligados (a distância de separação entre contactos deve ser no mínimo de 3 mm). A ligação deve servir exclusivamente para a alimentação do aparelho.

Em caso de danos no cabo de alimentação, este deve ser substituído pelo fabricante ou pelo serviço técnico para evitar situações de risco.

Este manual de instruções contém informações básicas que devem ser observadas durante a instalação, operação e manutenção. Por este motivo, este manual de instruções deve ser lido pelo instalador e pelo pessoal técnico/operador responsável antes da instalação e colocação em funcionamento e deve estar sempre disponíveis no local de instalação da máquina/sistema.

Não apenas as instruções gerais de segurança listadas neste ponto principal Segurança devem ser observadas, mas também as instruções especiais de segurança inseridas em outros pontos principais, por exemplo, para uso privado.

1.1 Marcação de avisos no manual de instruções



PERIGO

Perigo

Este termo define um perigo com riscos elevados que podem conduzir à morte ou a ferimentos graves, caso não seja evitado.



Zona de perigo

Este símbolo caracteriza, perigos que podem conduzir à morte ou a ferimentos.



Alimentação eléctrica perigosa

Este símbolo caracteriza, perigos inerentes à alimentação eléctrica e dá informações sobre a proteção contra a alimentação eléctrica.

ATENÇÃO



Danos materiais

Este símbolo caracteriza, em combinação com a palavra-chave **ATENÇÃO**, perigos para a máquina.

Instruções fixadas diretamente na máquina como, por exemplo sentido da seta de rotação, marcação das ligações de líquido, devem ser observadas e mantidas num estado totalmente legível.

1.2 Qualificação e formação do pessoal

O pessoal para a operação, manutenção, inspeção e montagem deve ter as qualificações adequadas para este trabalho. A área de responsabilidade, responsabilidade e monitorização do pessoal deve ser regulada com precisão pela operadora. Se o pessoal não possuir os conhecimentos necessários, este deve ser formado e instruído. Se necessário, isto pode ser feito pelo fabricante/fornecedor em nome da operadora da máquina. Além disso, a operadora deve certificar-se de que o conteúdo do manual de instruções é totalmente compreendido pelo pessoal.

1.3 Perigos em caso de inobservância das instruções de segurança

A inobservância das instruções de segurança pode pôr em perigo as pessoas, o meio ambiente e a máquina. A inobservância das instruções de segurança pode levar à perda de eventuais pedidos de indemnização.

A inobservância pode causar, por exemplo, os seguintes perigos :

- Falha de funções importantes da máquina/sistema;
- Falha dos métodos prescritos para a manutenção e conservação;
- Perigo para pessoas devido a influências elétricas, mecânicas e químicas;
- Perigo para o meio ambiente devido a fugas de substâncias perigosas.

1.4 Trabalhar de forma segura

As instruções de segurança contidas neste manual de instruções, os regulamentos nacionais de prevenção de acidentes existentes e quaisquer instruções internas de trabalho, operação e manutenção devem ser observadas.

1.5 Instruções de segurança para a operadora/o utilizador

- Se as peças quentes ou frias da máquina representarem perigo, estas peças devem ser protegidas contra contacto por parte do cliente.
- A proteção contra o contacto com peças móveis (p. ex., acoplamento) não pode ser removida com a máquina em funcionamento.
- As fugas (p. ex., do vedante de eixo) de substâncias perigosas (p. ex., explosivas, tóxicas, quentes) devem ser removidas de modo a não representarem perigo para as pessoas ou para o meio ambiente. Os regulamentos legais devem ser respeitados.
- Os perigos da energia elétrica devem ser excluídos (para mais detalhes, consulte, por exemplo, os regulamentos da VDE e as empresas locais de fornecimento de energia).

1.6 Instruções de segurança para os trabalhos de manutenção, inspeção e montagem

A operadora deve garantir que todos os trabalhos de manutenção, inspeção e instalação sejam realizados por pessoal técnico autorizado e qualificado, que tenha estudado cuidadosamente o manual de instruções e obtido informações suficientes. Em princípio, os trabalhos na máquina só devem ser realizados com a máquina parada. O procedimento descrito no manual de instruções para parar a máquina deve ser rigorosamente respeitado.

As bombas ou unidades de bomba que transportam meios nocivos à saúde devem ser

descontaminadas. Imediatamente após a conclusão dos trabalhos, todos os dispositivos de segurança e de proteção devem ser montados de novo ou postos em funcionamento.

Antes da (re)colocação em funcionamento, devem ser observados os pontos listados na secção de colocação em funcionamento.

1.7 Modificações não autorizadas e produção de peças sobressalentes

A máquina só pode ser transformada ou modificada após consulta ao fabricante. As peças sobressalentes e acessórios originais autorizados pelo fabricante servem para fins de segurança. A utilização de outras peças pode anular a responsabilidade pelas consequências daí resultantes.

1.8 Modos de funcionamento não autorizados

A segurança operacional da máquina fornecida só é garantida se esta for utilizada de acordo com o previsto no capítulo 2 - *Informações gerais* do manual de instruções. Os valores-limite especificados na folha de dados não podem, em caso algum, ser ultrapassados.

Aviso :

Para evitar o entupimento da bomba, as seguintes substâncias não devem estar contidas nas águas residuais :

- **Materiais sólidos, fibras, alcatrão, areia, cimento, cinzas, papel grosso, toalhas de papel, toalhetes húmidos, artigos de higiene, cartão, entulho, resíduos, resíduos de matadouros, gorduras, óleos.**
- **Águas residuais contendo substâncias nocivas (DIN 1986-100), por exemplo, águas residuais gordas de cozinhas de cantinas. A gordura só pode ser introduzida através de um separador de gordura de acordo com a norma DIN 4040-1.**

2. INFORMAÇÕES GERAIS

2.1 Pertença

Este manual de instruções é válido para a bomba submersível para águas residuais do tipo SANIPUMP® ZPG 71.

A inobservância do manual de instruções - em particular das instruções de segurança -, assim como a modificação não autorizada do aparelho ou a instalação de peças sobressalentes não originais anula automaticamente a garantia. O fabricante não se responsabiliza por quaisquer danos daí resultantes!

Como qualquer outro aparelho elétrico, este produto pode falhar devido a uma falta de energia ou a um defeito técnico. Se isso puder causar danos, um gerador de energia de emergência, uma bomba de diafragma manual, um segundo sistema (sistema duplo) e/ou um sistema de alarme independente da rede devem ser planeados de acordo com a aplicação. Também após a compra nós estamos à sua disposição como um fabricante para lhe consultar. Em caso de defeitos ou danos, contacte o seu revendedor.

Produtos :

SANIPUMP® ZPG 71.1 S	SANIPUMP® ZPG 71.2 T
SANIPUMP® ZPG 71.1 T	SANIPUMP® ZPG 71.3 T

2.2 Pedidos e encomendas

Por favor, encaminhe os seus pedidos e as suas encomendas para o seu revendedor especializado.

2.3 Dados técnicos

SANIPUMP®	ZPG 71.1 S	ZPG 71.1 T	ZPG 71.2 T	ZPG 71.3 T
Potência do motor P1 [kW]	2,2	2,1	3,9	3,9
Potência nominal P2 [kW]	1,6	1,7	3,2	3,2
Tensão U [V]	230	400	400	400
Frequência f [Hz]	50			
Consumo da corrente nominal I [A]	10,5	3,7	6,5	6,5
Rotação n [min ⁻¹]	2800			
Produção máx. Q _{max} [m ³ /h]	43			
Altura máx. manométrica H _{max} [m]	19	19	26	31
Temperatura máx. do meio t _{max} [°C]	40			
Ligação de pressão	Flange DN50			
Peso com cabo [kg]	38	38	38	44
Ciclo de funcionamento real ED	S1-funcionamento contínuo (completamente inundado), S3-40% (submerso)			
Nível de enchimento mínimo do líquido	Borda inferior da carcaça do motor			

Materiais

Carcaça do motor	GG 20	Rotor	GG 20
Eixo do motor	1.4021	Flange auxiliar	ST 37-2
Caixa da bomba	GG 20	Vedações de anel deslizante	SiC (carboneto de silício)
Flange	GG 20	Outros vedantes	NBR, FPM

2.4 Campo de aplicação

As bombas submersíveis para águas residuais do tipo SANIPUMP® ZPG 71 são utilizadas para a drenagem de águas residuais e poços de esgotos. A utilização desta bomba não é adequada para a eliminação de águas residuais contendo fezes (água negra).

As águas residuais não devem conter substâncias que ataquem os materiais da bomba do eixo ou os componentes do eixo.

2.5 Acessórios

Todas as bombas da série SANIPUMP® ZPG 71 são fornecidas com uma extremidade de cabo livre. Disponível como opção :

- os aparelhos de comutação para bombas em versões padrão ou especiais com vários controlos de nível.
- um dispositivo de acoplamento (uso estacionário) para configurar a bomba.

3. TRANSPORTE E ARMAZENAMENTO INTERMEDIÁRIO

As bombas SANIPUMP® ZPG 71 devem ser sempre levantadas e/ou transportadas no olhal previsto para tal na parte superior ou na pega. A bomba não pode em caso algum ser levantada pelo cabo de alimentação.

Para o armazenamento intermédio das bombas é suficiente armazená-las num local fresco, seco, sem gelo

e escuro. O rotor deve ser rodado pelo menos uma vez por mês, quando a bomba for armazenada durante um período de tempo mais longo, para evitar que os empanques mecânicos se colem entre si.

4. DESCRIÇÃO

4.1 Motores

As bombas SANIPUMP® ZPG 71 estão equipados com um motor assíncrono de corrente alternada ou trifásico. Um sensor de temperatura (bimetálico) está integrado em cada um dos três enrolamentos do motor, que funciona como controlador de temperatura ou limitador de temperatura (contacto normalmente fechado). Se o motor ficar demasiado quente por qualquer motivo, o controlador de temperatura responde primeiro e desliga o motor. O motor pode então ligar-se novamente automaticamente quando arrefecer.

4.2 Bombas

A caixa da bomba e o rotor são feitos de ferro fundido cinzento. As bombas têm um flange DN 50 como saída de pressão.

4.3 Aparelho de comutação

As bombas com motor trifásico de 400 V são fornecidas **sem** aparelho de comutação.

As bombas com motor 230 V são fornecidas com um aparelho de comutação, com condensador e protecção do motor.

5. INSTALAÇÃO



PERIGO



- Desligue a fonte de alimentação antes de realizar qualquer trabalho no sistema.
- As ligações elétricas não devem ser expostas à humidade.

5.1 Sistema elétrico

Regra de segurança :

- Todos os sistemas elétricos utilizados devem estar em conformidade com a norma IEC 364 / VDE 0100, ou seja, as tomadas devem ter terminais de ligação à terra.
- A ligação elétrica só pode ser efetuada por um electricista qualificado! Respeite os regulamentos VDE 0100 relevantes!
- A rede elétrica à qual o sistema está ligado deve ter um disjuntor de corrente residual de alta sensibilidade IA <30 mA a montante do sistema de comando ou, para evitar uma falha do sistema de comando quando o disjuntor de corrente residual responde, deve ser instalado um disjuntor de corrente residual entre o sistema de comando e a bomba para cada bomba. Ao instalar em casas de banho e chuveiros, devem ser respeitados os regulamentos DIN VDE 0100 Parte 701 correspondentes.
- Por favor, observe os regulamentos da EN 12 056-4.
- No caso de uma ligação trifásica de corrente, o fusível externo deve ser geralmente fornecido com disjuntores tripolares com a característica K. Isso garante o isolamento completo da rede elétrica e evita a operação em 2 fases.
- Todos os dispositivos elétricos, como sistema de comando, dispositivo de alarme e tomada, devem ser instalados em salas secas para evitar inundações.
- Atenção! A bomba deve ser separada da rede elétrica antes de cada montagem e desmontagem da bomba ou de outros trabalhos no sistema.
- A sobrecarga pode provocar o sobreaquecimento do motor. Nunca toque nas superfícies quentes do motor em caso de sobreaquecimento.

• Se for utilizado um cabo de extensão, este deve ser da mesma qualidade que o cabo de ligação fornecido.

A bomba em modelo de corrente alternada deve ser operada com o aparelho de comutação auxiliar fornecido.

A bomba é ligada a uma tomada de corrente com contacto de ligação à terra através do cabo ligado ao aparelho de comutação com uma ficha de ligação à terra.

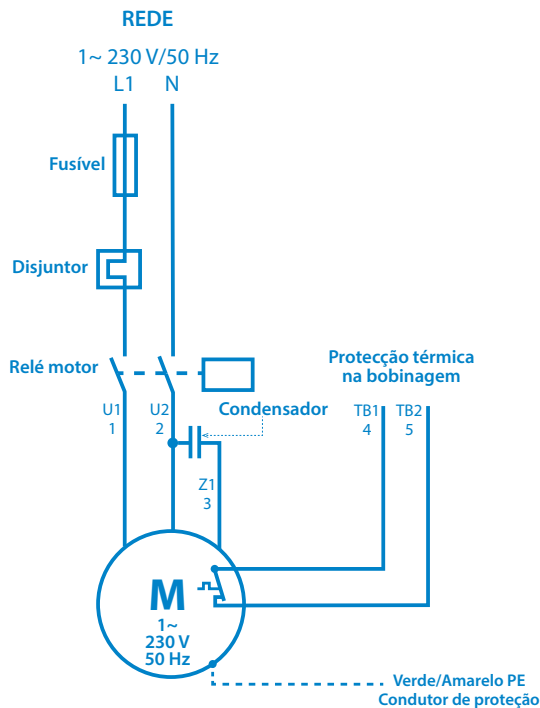
PERIGO



- O aparelho de comutação deve ser instalado fora da área de inundação!
- O flutuador para a proteção contra funcionamento a seco deve ser montado de tal forma que não seja possível que o nível de água caia abaixo da borda inferior da carcaça do motor.

Não é necessária uma instalação elétrica adicional. Se necessário, a caixa do motor pode ser adicionalmente ligada à terra através do terminal externo de ligação à terra previsto para o efeito.

Se um aparelho de comutação estiver ligado à bomba SANIPUMP® ZPG 71.1 S, a ligação é feita da seguinte forma :



Modelo trifásico :

Os fios do cabo de ligação de 7 fios das bombas trifásicas estão marcados da seguinte forma :

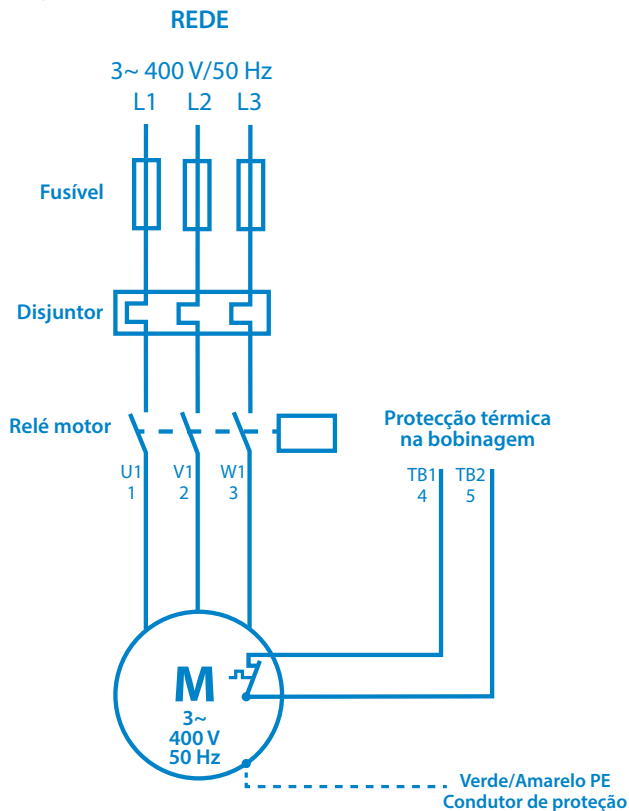
Verde/Amarelo	PE	Condutor de proteção (ligação à terra)
1	U1	Três enrolamentos, conexão estrela
2	V1	
3	W1	
4	TB1	Primeiro contacto do circuito de controlo
5	TB2	Segundo contacto do circuito de controlo

PERIGO



- O aparelho de comutação deve ser instalado fora da área de inundação!
- O flutuador para a proteção contra funcionamento a seco deve ser montado de tal forma que não seja possível que o nível de água caia abaixo da borda inferior da carcaça do motor.

Esquema de ligação do motor trifásico :



Ligação da proteção térmica do enrolamento :

Circuito de controlo : TB1 e TB2 **devem** ser ligados num aparelho de comutação de tal forma que a seguinte função seja garantida: Se estes sensores térmicos responderem, a bomba é desligada até que a temperatura desça novamente. Agora a bomba liga-se novamente.

5.2 Sistema hidráulico

ATENÇÃO



- A bomba submersível para águas residuais deve ser protegida eficazmente contra a aspiração de ar!
- Estas bombas não devem ser instaladas em instalações secas, uma vez que a proteção contra explosões prescreve um nível mínimo de água até à extremidade inferior da carcaça do motor.

Instalação com anel de suporte de piso :

- Montar o anel de suporte do piso no flange de sucção da bomba e configurar a bomba. Certifique-se de que a bomba está suficientemente estável.
- Ligar o lado da pressão com flange DN 50.
- Se uma mangueira for instalada no lado da pressão, as curvas devem ser evitadas.
- Coloque o cabo de alimentação sem dobras, sem carga de tração e sem atrito.

Instalação para a instalação do poço :

- Posicione o grampo do tubo na borda interna do poço e fixe-o de forma solta com dois parafusos.
- Soe a posição do suporte do tubo guia do pé de acoplamento, alinhe o pé de acoplamento no fundo do poço e monte-o com os pinos de serviço pesado fornecidos.
- Instale o tubo de pressão e os acessórios sem tensão.
- Coloque o tubo guia no pé de acoplamento, serrado no comprimento correto, encaixe o grampo do tubo e, finalmente, aperte bem.
- Monte a peça de acoplamento e a corrente de drenagem para bombear, drenar e acoplar a bomba à

corrente (tubo guia da linha na peça de acoplamento), pendure a corrente no tensionador do tubo pronto para uso.

- Coloque o cabo de alimentação sem dobras, sem carga de tração e sem atrito

5.3 Regulação do nível

As bombas SANIPUMP® ZPG 71 devem ser comandadas através de um controlo de nível, de modo a evitar absolutamente uma descida do nível de água abaixo do nível mínimo admissível (borda inferior da carcaça do motor).

A regulação do nível pode ser controlada, por exemplo, por interruptor de boia, electropneumático (interruptor de pressão) ou por outros métodos adequados. O ponto de ligação da bomba deve ser regulado de modo a que a bomba fique completamente imersa na água.

Se a regulação do nível for realizado através de interruptores de boia, o sinal dos flutuadores tem que ser transmitido através de relés Ex i intrinsecamente seguros.

6. COLOCAÇÃO EM FUNCIONAMENTO

Verifique novamente todas as ligações para uma instalação correta, coloque a válvula de bloqueio na saída e verifique o controlo de nível para um funcionamento correto.

Ao efetuar o teste de funcionamento, verifique se existem fugas nas tubagens e, se necessário, volte a vedá-las.

7. MANUTENÇÃO/CONSERVAÇÃO



PERIGO



Separe o sistema da rede antes de realizar qualquer trabalho nele.

O nível de óleo no suporte do vedante deve ser verificado da seguinte forma após cada período de funcionamento semestral a anual: Coloque a bomba numa superfície limpa de modo a que o parafuso de enchimento de óleo aponte para cima. Desaperte este parafuso e verifique o nível de óleo. Se faltar apenas uma pequena quantidade de óleo, o fornecimento de óleo pode ser facilmente reabastecido. Se houver uma perda significativa de óleo ou se o óleo estiver misturado com água, o serviço ao cliente deve ser informado. Se o óleo for misturado com água, as vedações mecânicas devem ser inspecionadas pelo fabricante ou por uma empresa especializada autorizada e, se necessário, substituídas.

Todos os outros trabalhos de manutenção na bomba e no sistema elétrico devem ser realizados pelo fabricante ou por uma empresa especializada autorizada de seis em seis meses a uma vez por ano (ou em intervalos mais curtos, dependendo da aplicação). Em caso de danos na bomba e/ou no sistema elétrico, informe imediatamente o serviço ao cliente.

8. FALHAS, CAUSAS E RESOLUÇÃO



PERIGO



Desligue a ficha elétrica antes de realizar qualquer trabalho no sistema.

Falha	Causa	Resolução
1. Motor não gira	<ul style="list-style-type: none"> - Tensão de rede ausente ou errada - Ligação defeituosa - Cabo de alimentação defeituoso - Condensador avariado/incorrecto - Rotor/lâmina de cortar bloqueado - Proteção do motor ativado (sobreaquecimento, bloqueio, erro de tensão ou outro defeito) - Erro de controle/interruptor de boia defeituoso - Motor defeituoso 	<ul style="list-style-type: none"> - Verificar a fonte de alimentação - Corrigir a ligação - Troca (Serviço ao Cliente) - Troca (Serviço ao Cliente) - Limpar - Verificar, informar o serviço ao cliente - Verificar, informar o serviço ao cliente - Troca (Serviço ao Cliente)
2. O motor gira, mas não bombeia	<ul style="list-style-type: none"> - Rotor bloqueado ou gasto - Válvula de retenção entupida - Válvula de bloqueio entupida/gasta - Tubo de pressão entupido / mangueira dobrada - Bico de aspiração entupido - Sentido de rotação errado - Falta de água no poço 	<ul style="list-style-type: none"> - Limpar/Trocar - Limpar - Limpar/Abrir - Limpar/remover as dobras - Limpar - Correção - Desligar/serviço ao cliente
3. Motor desliga no arranque	<ul style="list-style-type: none"> - Tensão errada ou flutuante - Proteção térmica projetada incorretamente - Consumo de corrente demasiado elevado 	<ul style="list-style-type: none"> - Correção/Serviço ao cliente - Verificar/Serviço ao cliente - Serviço ao Cliente
4. Motor não desliga	<ul style="list-style-type: none"> - Erro do sistema de comando - Interruptor de boia incorreto/defeituoso 	<ul style="list-style-type: none"> - Serviço ao cliente - Troca/Serviço ao cliente

9. GARANTIA

Como fabricante, garantimos este aparelho por 24 meses a partir da data de compra.

O seu recibo é considerado como prova. Dentro deste período de garantia, nós reparamos ou substituímos gratuitamente, por opção nossa, todos os defeitos atribuíveis a defeitos de material ou de fabrico, através de reparação ou substituição.

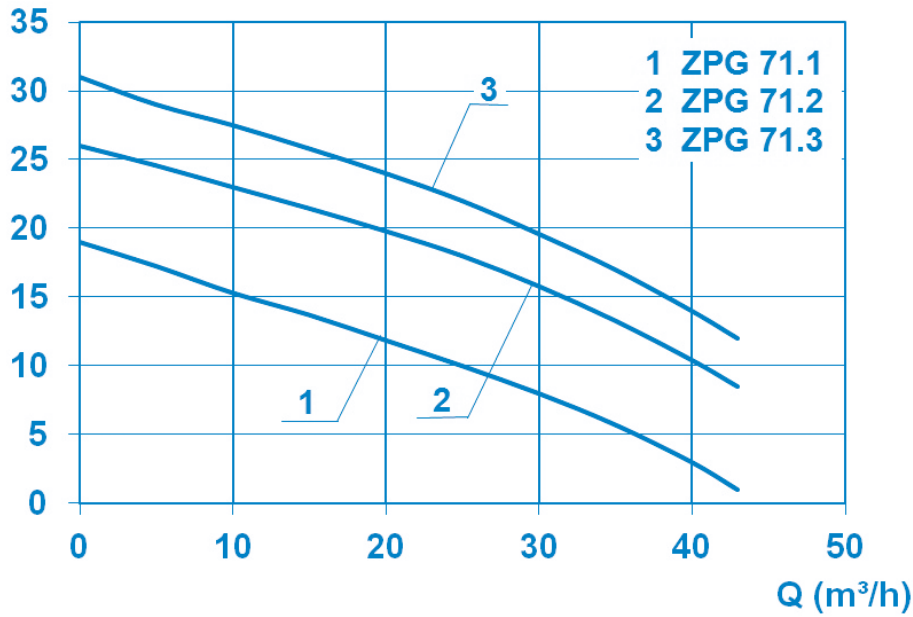
Estão excluídos da garantia os danos causados por uso inadequado e desgaste. Não assumiremos quaisquer danos consequenciais causados por falha do aparelho.

10. ALTERAÇÕES TÉCNICAS

Nós nos reservamos o direito de fazer alterações técnicas para fins de desenvolvimento futuro.

Anexo A : Características

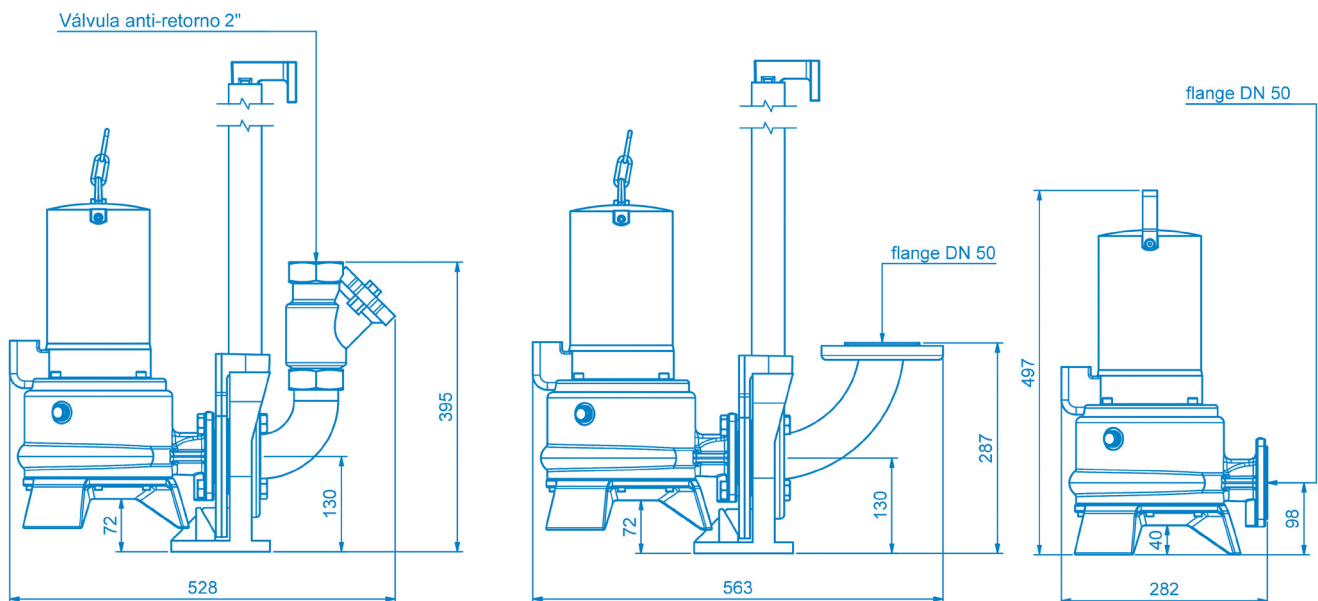
H (m)



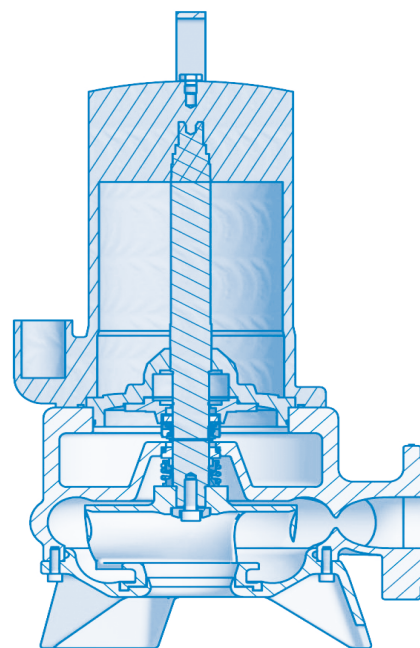
Anexo B : Dimensões da bomba

Montagem do poço com tubo condutor

Instalação com anel de suporte de piso



Anexo C : Desenho seccional e lista de peças sobressalentes



Pos.	Artigo n°	Designação 1	Designação 2	Quantidade
10	17842	Motor completo SANIPUMP® ZPG 71.1 S	com flange de descarga	1
10	17840	Motor completo SANIPUMP® ZPG 71.1 T	com flange de descarga	1
10	17370	Motor completo SANIPUMP® ZPG 71.2 T e ZPG 71.3 T		1
11	17854	Chaveta A6x6x10	Forma A, DIN6885	1
20	17356	GLRD LD1/25-G38	BVPGG	1
30	17377	GLRD MG1/25-G6	Q1Q1PGG	1
40	11679	Anel de retenção A25x1,2	DIN471	1
50	17684	Caixa da bomba ZPG 71		1
60	11138	Parafuso sextavado interior M8x30 A2	DIN 912	4
70	11645	Disco de catraca S8x13x0,8A2		4
80	17783	Rotor ZPG 71.1	maquinada de forma cónica 21,8°	1
80	17782	Rotor ZPG 71.2		1
80	17780	Rotor ZPG 71.3		1
90	17350	Tampa ZPG 71		1
100	10666	Parafuso sextavado interior M6x12 A2	DIN 912	4
110	19501	Parafuso sextavado interior M6x18 A2	DIN 912	4
120	11822	Junta tórica 160 x 3,5-NBR70		1
160	17375	Disco de ajuste 20x30x0,1 1.4301		1
170	17376	Disco de ajuste 20x30x0,5 1.4301		1
180	17352	União roscada da lâmina ZPG 71		1
190	16381	Parafuso sextavado interior M8x25 A2		1
200	11672	Anel de vedação 8x14x1 Cu		1
210	11663	Parafuso olhal M8 A2	DIN 580	1
220	10700	Parafuso sextavado interior M6x8 A2	DIN 912	2
230	11639	Parafuso de aperto G3/8	DIN910	2
240	11646	Anel de vedação 17x22x1,5 Cu		2
250	11690	Wisura Óleo branco técnico NFW	Óleo branco Wisura	1
	17468	Caixa de controlo ZPG 71.1 S 230V		1

www.sfa.biz

SERVICE HELPLINES

France

Tel. 01 44 82 25 55
Fax. 03 44 94 46 19

United Kingdom

Tel. 08457 650011
(Call from a land line)
Fax. 020 8842 1671

Ireland

Tel. 1850 23 24 25
(LOW CALL)
Fax. + 353 46 97 33 093

Australia

Tel. +1300 554 779
Fax. +61.2.9882.6950

Deutschland

Tel. 0800 82 27 82 0
Fax. (060 74) 30928-90

Italia

Tel. 0382 6181
Fax. +39 0382 618200

España

Tel. +34 93 544 60 76
Fax. +34 93 462 18 96

Portugal

Tel. +35 21 911 27 85
sfa@sfa.pt

Suisse Schweiz Svizzera

Tel. +41 (0)32 631 04 74
Fax. +41 (0)32 631 04 75

Benelux

Tel. +31 475 487100
Fax. +31 475 486515

Sverige

Tel. +08-404 15 30

Norge

Tel. +08-404 15 30

Polska

Tel. (+4822) 732 00 33
Fax. (+4822) 751 35 16

РОССИЯ

Tel. (495) 258 29 51
Fax. (495) 258 29 51

Česká Republika

Tel. +420 266 712 855
Fax. +420 266 712 856

România

Tel. +40 724 364 543
service@saniflo.ro

Türkiye

Tel. +90 212 275 30 88

Brazil

Tel. (11) 3052-2292

中国

Tel. +86(0)21 6218 8969
Fax. +86(0)21 6218 8970

South Africa

Tel. +27 (0) 21 286 00 28